

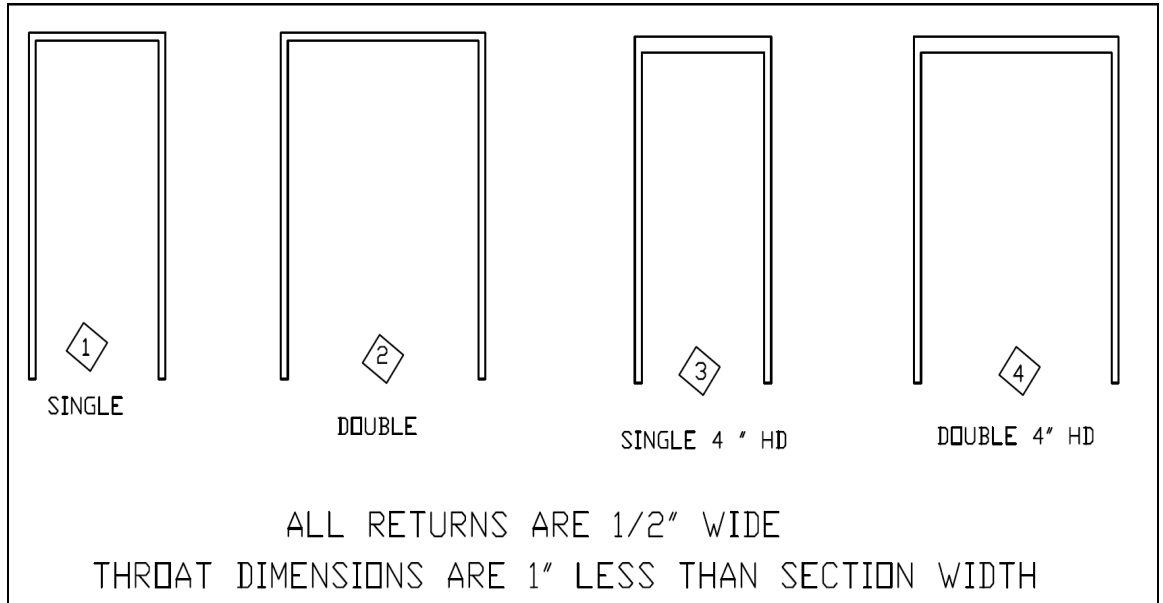


Hollow Metal Frames

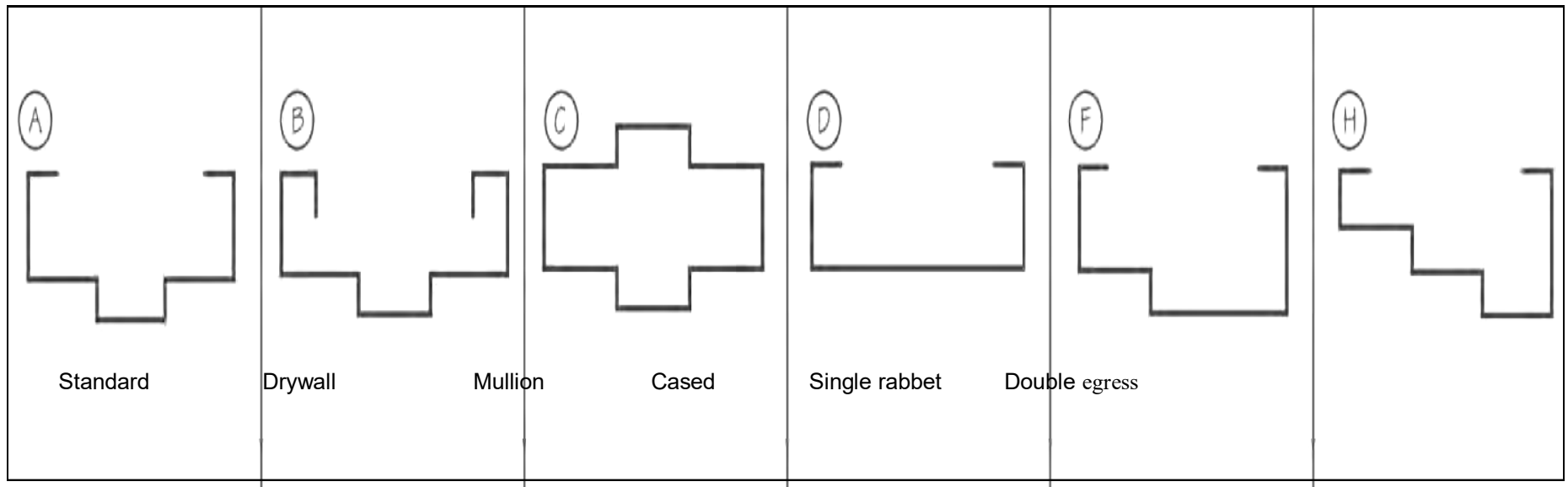
Standard frame elevations

A full line of standard and custom frames:

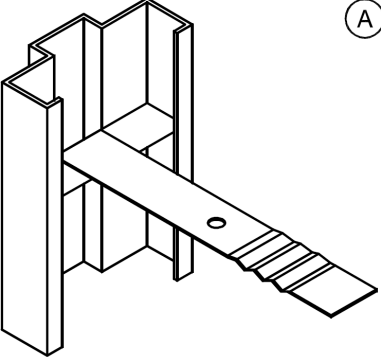
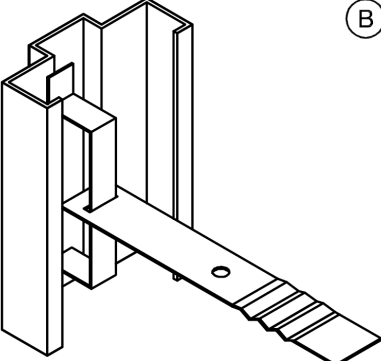
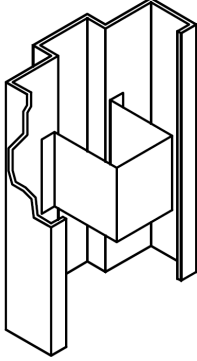
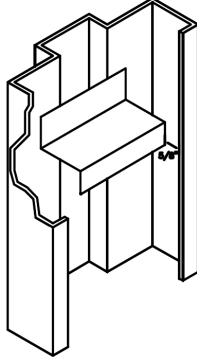
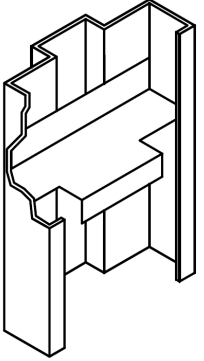
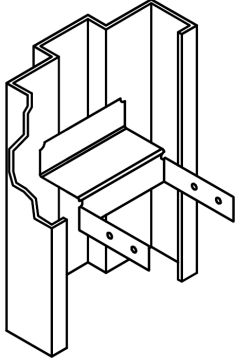
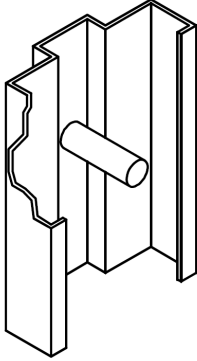
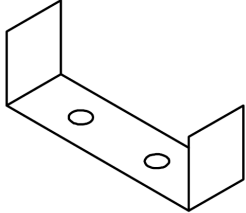
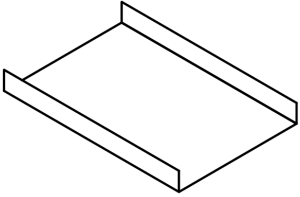
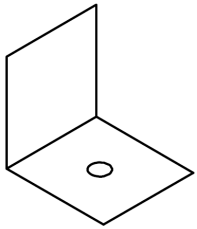
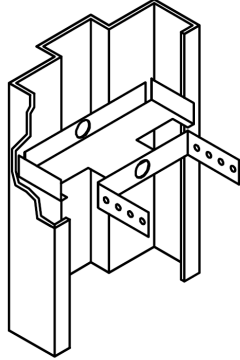
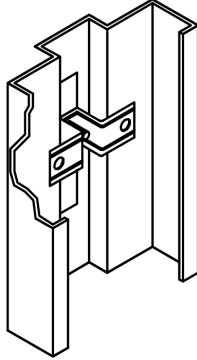
- Standard door frames, fully or face welded
- Window frames
- Sidelights
- Standard, window and sidelight frames can be supplied lead lined
- Knock down (KD) frames for welding
- Dry wall knock down (KD frames)
- Custom frames



Standard frame sections



Standard frame anchors

 <p>(A)</p> <p>T-STRAP (MASONRY)</p>	 <p>(B)</p> <p>U.L STRAP & STIRRUP MASONRY</p>	 <p>(C)</p> <p>GROUDED</p>	 <p>(D)</p> <p>METAL CHANNEL STUD</p>
 <p>(DS)</p> <p>NOTE: ANCHOR IS FLUSH WITH RETURN</p>	 <p>(E)</p> <p>WOOD STUD</p>	 <p>(F)</p> <p>EWA</p>	 <p>(H)</p> <p>MULLION CLIP</p>
 <p>SILL PLATE</p>	 <p>FLOOR ANCHOR</p>	 <p>(K)</p> <p>SNAP IN</p>	 <p>'CP'</p>