



# *Rocky Mountain Metals, Inc*

Manufacturer of Standard and Custom Hollow  
Metal Doors, Frames and Windows

# Index

<b>Introduction</b>	3
<b>List of References</b>	
Educational	4-5
Medical Care	6
Municipal, Military and Governmental	7
Corporate, Retail and Commercial	8
Hotels	9
Libraries and Casinos	10
<b>Hollow Metal Doors</b>	
General Information	11
Door Details	12
1100 Polystyrene Core	13
1200 Steel Stiffened	14
1500 Lead Lined	14
1300 Temperature Rise	15
1600 Dutch Doors	16-17
<b>Hollow Metal Frames</b>	
General Information	18-19
Welded Frames	20
Knockdown (KD) Frames	21
Pocket Frames	22
Custom Frames	23-24
<b>Tornado Resistant Opening</b>	25
1400 FEMA Frame and Shutter	26-27
1400 FEMA Door and Shutter	28
<b>Leadership in Energy and Environmental Design</b>	29
<b>Contact Information</b>	30
<b>Buy America Act</b>	31
<b>Certifications</b>	31



Rocky Mountain Metals, Inc., is a manufacturer of Standard and Custom Hollow Metal Door and Frame Products located in Raton, New Mexico, just south of the Colorado border. Established in 1988, the company has over the years, supplied hollow metal products to numerous types of facilities from small offices and schools, to prestigious corporate headquarters, hospitals and exclusive hotels.

We offer excellent service with short lead times and very competitive prices. Customized and quick quoting as well as order processing through our knowledgeable and experienced staff. By the attached references, we hope that you get an understanding of not only our capabilities, but also that we are dependable and reliable. A partner you can count on.

Rocky Mountain Metals, Inc. is continually expanding capabilities, improving efficiencies and upgrading production facilities to meet today's high standards for quality and customer service. Our product program consists of among others:

#### Hollow Metal Frames

- Face and fully welded door and window frames. From standard frames to complex customized frame configurations. If you can design it, we can build it
- Lead lined door and window frames
- Knock down frames for welding and drywall applications
- Pocket frames

#### Hollow Metal Doors

- Polystyrene core construction
- Steel stiffened doors
- Lead lined doors
- Temperature rise doors
- Dutch doors

#### Openings Solutions

Classified to FEMA P-361 (2015) and certified to ICC 500 (2014)

Labeling and fire rating under the procedures from Underwriters Laboratory (UL). Rocky Mountain Metals, Inc. is authorized to label three-sided frames and doors for up to three hours and sidelights and windows for up to 90 minutes.

All our products qualify for full LEED Credits for recycled content MR.4.1 and 4.2, as they contain more than 25% recycled material as per the LEED Definitions (100% of Post Consumer and 50% of Pre Consumer Recycled Content).

We are a member of the **National Association of Architectural Metal Manufacturers (NAAMM) and Hollow Metal Manufacturers Association (HMMA)**. Our products are manufactured in accordance with the applicable **HMMA Standards** such as HMMA 802-07 "Manufacturing of Hollow Metal Doors and Frames" and HMMA 841-07 "Tolerances and Clearances for Commercial Hollow Metal Doors and Frames". Consequently, as per these standards, we meet and or exceed the applicable ANSI/SDI criteria.

We have an experienced management team in place with solid Hollow Metal background, as well as, experience from top level positions in the Door and Hardware Industry in the US and internationally.

Please take the time to review the information in this brochure to get a better understanding of our products and services we can provide. I hope that you will find this helpful enough to give us a chance to show what we can do for you in the areas of Standard and Custom Hollow Metal .

Sincerely yours,

Clas Thelin  
President  
[cthelin@rockymountainmetals.com](mailto:cthelin@rockymountainmetals.com)



# Rocky Mountain Metals, Inc. is the proud supplier of hollow metal doors, frames and/or windows for these projects

## Educational Facilities - Suitable solutions for any level

Over the years we have supplied doors and frames to educational facilities all over the country. From small basic school facilities to state of the art universities and colleges. Our product program is constantly under development to cater to the ever changing life safety needs in this area. Additionally, our products are frequently used where complex and highly customized hollow metal solutions are chosen.

Saks High School **(FEMA)**  
Marionneaux Elementary School  
Greenway High School  
Thunderbird High School  
Tramonto Ridgeline Academy  
Western School of Science and Technology  
Mammoth Middle School  
San Diego State University  
Cherry Creek Middle School #11  
Leman Academy  
Denver Public Schools—Paul Sandoval Campus  
Dakota Ridge State University  
American Academy  
Londonderry Elementary School  
Dodge City High School USD 443  
Sunnyside Elementary School  
Unified School District #443 Soule Elementary  
Hoisington USD 431  
Lincoln Elementary School

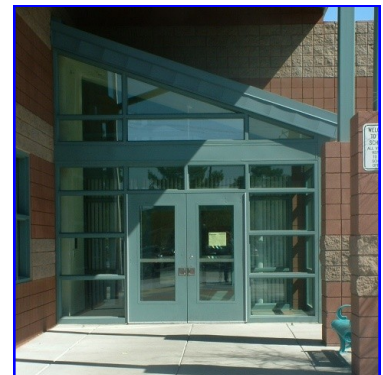
Boulder City High School  
Andre Agassi College Prep Academy  
Clifford J. Lawrence Jr. High  
Hollingsworth Elementary School  
Linda Rankin Givens Elementary School  
Palo Verde High School  
Petersen Elementary School  
Rancho High School  
UNLV Campus  
Atrisco Elementary School  
Rio Grande High School  
University of New Mexico Farris Engineering  
Fort Wingate Elementary School  
New Mexico State University Grants  
Hobbs Schools  
Jal Public Schools  
Santa Fe Indian School  
West Las Vegas Middle School  
Jackson Elementary School **(FEMA)**  
Okarche Public Schools **(FEMA)**  
Woodard Schools **(FEMA)**  
University of Rhode Island-College of Pharmacy  
Adrian Independent School District  
Canyon Independent School District **(FEMA)**  
River Road Independent School District  
Arlington ISD  
Harmony Science Academy Cedar Park  
**More Educational listings are on the next page!**

Anniston, AL  
Buckeye, AZ  
Phoenix, AZ  
Phoenix, AZ  
Phoenix, AZ  
Phoenix, AZ  
Mammoth Lakes, CA  
San Diego, CA  
Aurora, CO  
Colorado Springs, CO  
Denver, CO  
Littleton, CO  
Parker, CO  
Peyton, CO  
Dodge City, KS  
Dodge City, KS  
Dodge City, KS  
Hoisington, KS  
Hoisington, KS

Boulder City, NV  
Las Vegas, NV  
Las Vegas, NV  
Las Vegas, NV  
Las Vegas, NV  
Las Vegas, NV  
Las Vegas, NV  
Las Vegas, NV  
Las Vegas, NV  
Las Vegas, NV  
Albuquerque, NM  
Albuquerque, NM  
Albuquerque, NM  
Fort Wingate, NM  
Grants, NM  
Hobbs, NM  
Jal, NM  
Santa Fe, NM  
Las Vegas, NM  
Oklahoma City, OK  
Okarche, OK  
Woodard, OK  
Kingston, RI  
Adrian, TX  
Amarillo, TX  
Amarillo, TX  
Arlington, TX  
Austin, TX



**New Mexico State University  
Grants, New Mexico**



**Petersen Elementary School  
Las Vegas, NV**



# Rocky Mountain Metals, Inc. is the proud supplier of hollow metal doors, frames and/or windows for these projects

## Educational Facilities - Suitable solutions for any level

Over the years we have supplied doors and frames to educational facilities all over the country. From small basic school facilities to state of the art universities and colleges. Our product program is constantly under development to cater to the ever changing life safety needs in this area. Additionally, our products are frequently used where complex and highly customized hollow metal solutions are chosen.

- |   |                      |
|---|----------------------|
| Borger ISD Stadium                                | Borger, TX           |
| Bovina ISD  | Bovina, TX           |
| Carthage ISD Admin                                | Carthage, TX         |
| Antonian College Preparatory High School          | Castle Hills, TX     |
| JFK Elementary School                             | Corpus Christi, TX   |
| Lubbock Cooper Independent School District        | Cedar Park, TX       |
| Collleyville Heritage High School                 | Colleyville, TX      |
| Crowley ISD                                       | Crowley, TX          |
| George W. Truett Elementary School                | Dallas, TX           |
| Decatur Elementary School                         | Decatur, TX          |
| Dimmitt High School & Middle School               | Dimmitt, TX          |
| Dimmitt ISD Elementary School <b>(FEMA)</b>       | Dimmitt, TX          |
| Everman Joe C Bean High School                    | Everman, TX          |
| Forest Hills Prep                                 | Fort Worth, TX       |
| TCU Annie Richardson Bass Building                | Fort Worth, TX       |
| Frenship New Elementary School                    | Wolfforth, TX        |
| Sam Houston Elementary School                     | La Feria, TX         |
| Georgetown High School                            | Georgetown, TX       |
| United Independent School District                | Laredo, TX           |
| University of Texas Health Science Center         | Laredo, TX           |
| ASU Archer College of Health and Human Svcs       | Lubbock, TX          |
| Texas Tech University—Architectural Bldg.         | Lubbock, TX          |
| Texas Tech University Horn Hall                   | Lubbock, TX          |
| Texas Tech University Sports Performance Center   | Lubbock, TX          |
| Alice Ponder Elementary School                    | Mansfield, TX        |
| Brooks Wester Middle School                       | Mansfield, TX        |
| Glenn Harmon Elementary School                    | Mansfield, TX        |
| J L Boren Elementary School                       | Mansfield, TX        |
| Rogene Worley Middle School                       | Mansfield, TX        |
| Barbara Fasken Elementary School                  | Midland, TX          |
| Bynum Schools                                     | Midland, TX          |
| Southwest Elementary School                       | Midland, TX          |
| Texas Tech University—Permian Basin Academy       | Odessa, TX           |
| Angelo State University—Greenhouse                | San Angelo, TX       |
| Angelo State University—Hunter Strain Engineering | San Angelo, TX       |
| Austin Elementary                                 | San Angelo, TX       |
| BASIS San Antonio North Central                   | San Antonio, TX      |
| Judith A. Resnik Elementary School                | San Antonio, TX      |
| Tahoka ISD  | Tahoka, TX           |
| Taylor Independent School District                | Taylor, TX           |
| Tivoli ISD  | Tivoli, TX           |
| Boulter Middle School                             | Tyler, TX            |
| Venus Middle School                               | Venus, TX            |
| Southwest Legacy High School                      | Von Ormy, TX         |
| North Elementary School                           | White Settlement, TX |



**Texas Christian University  
Annie Richardson Bass Building  
Fort Worth, TX**



**Texas Tech University  
Sports Performance  
Center  
Lubbock, TX**

# Rocky Mountain Metals, Inc. is the proud supplier of hollow metal doors, frames and/or windows for these projects

## Medical Care Facilities - From clinics to full size hospitals

The width of our products as well as our capability to supply anything from a simple door opening to custom hollow metal configurations of almost any size and complexity has made us a favored choice when it comes to medical care facilities. We can competitively supply products and solutions on all different levels, from a small clinic to full scale hospitals like the VA Hospital in Denver and Walter Reed Army Medical Center. This has gained us substantial expertise in the special products and needs in this area.



**Walter Reed Medical Center  
Bethesda, MD**

Mayo Clinic  
Perimeter Hospital (**FEMA**)  
Banner Estrella Medical Center  
Banner University Medical Center  
Clovis Community Medical Center  
Veterans Affairs Hospital  
Peterson Dental Clinic  
Code 3ER and Urgent Care  
D.I. Medical and Research Center  
Mercy Medical Life Safety  
Poudre Valley Hospital  
Greely Hospital  
Sterling Medical Center

Scottsdale, AZ  
Scotsdale, AZ  
Phoenix, AZ  
Tuscon, AZ  
Clovis, CA  
Aurora, CO  
Colorado Springs, CO  
Denton, TX  
Denver, CO  
Denver, CO  
Denver, CO  
Greely, CO  
Sterling, CO

Annapolis Health Clinic	Annapolis, MD
Walter Reed Army Medical Center	Bethesda, MD
Walter Reed Behavioral Health Learning Center	Bethesda, MD
Gallup Indian Medical	Gallup, NM
Green Valley Chiropractic and Wellness Center	Henderson, NV
Henderson Hospital	Henderson, NV
Mountain View Hospital	Las Vegas, NV
Mountain View Regional Medical	Las Vegas, NV
Sunrise Hospital	Las Vegas, NV
UMC Trauma Center	Las Vegas, NV
Behavioral Health Clinic	Fort Brigg, NC
Eufaula Indian Health ( <b>FEMA</b> )	Eufaula, OK
Comanche County Memorial Hospital	Lawton, OK
Connors State Allied Health & Nursing Facility	Muskogee, OK
Texas Rehabilitation Hospital	Arlington, TX
Ambulatory Surgery	Amarillo, TX
Wolflin Medical Center	Amarillo, TX
Matagonda Hospital	Bay City, TX
Scenic Mountain Medical	Big Spring, TX
Harmony Science Center	Cedar Park, TX
Presbyterian Hospital	Denton, TX
Cobalt Medical	El Paso, TX
Forest Park Medical Center	Fort Worth, TX
Mesa Springs Hospital	Fort Worth, TX
Sundance Psychiatric Hospital	Garland, TX
Georgetown Behavioral Health Institute	Georgetown, TX
Greystar Texas Medical Center	Laredo, TX
Community Health Center	Lubbock, TX
J Cleo Wellness Center	Ozona, TX
Seminole Hospital	Seminole, TX
Montezuma Creek Health	Montezuma Creek, UP
CWC Health Science	Riverton, WY



**Georgetown Behavioral  
Health Institute  
Georgetown, TX**

# Rocky Mountain Metals, Inc. is the proud supplier of hollow metal doors, frames and/or windows for these projects

## Municipal, Military and Governmental Facilities - Security and Safety

In today's society security and safety are top priorities for most municipal, military and governmental facilities. We are proud of the confidence that our customers put on us and our ability to provide this for different openings and other hollow metal solutions. With a strong base in the Colorado, Texas and Nevada areas we have also been trusted to provide supply our products to other areas.

Butler City Hall **(FEMA)**  
Fort McClellan Army National Training Center **(FEMA)**  
Butler City Hall  
Eutaw 911 Building **(FEMA)**  
Davis-Monthan AFB-Aerospace Maintenance & Regeneration Group  
F-35 Squadron Ops  
Alamosa County Justice  
Aurora Justice Center  
Buckley AFB, Bldg. 909  
4<sup>th</sup> ID CAB Consolidated Battalion HQ  
Company Operations Facility  
Division Headquarters  
Mountain View Ops  
Visiting Officers Quarters  
ABQ Bio Park  
New Mexico Game and Fish  
Bernalillo Senior Center  
Cannon AFB  
McKinley County Justice Complex  
German Air Facility  
National Security and Science Building  
Taos County Administration and Detention  
Cold Creek Prison  
Clark County Detention Center  
Federal Justice Tower  
Juvenile Treatment Facility  
Las Vegas Metropolitan Police Department  
Las Vegas Metropolitan PD – Fingerprint Bureau  
Regional Justice Center  
Visiting Officers Quarters  
Lovelock Prison  
Chemical Science Building  
Visiting Officers Quarters  
Sheppard Air Force Base  
USPS Distribution Center  
Abilene Zoo  
Potter County Law **(FEMA)**  
Cisco Water Treatment  
Social Security Office of Disability and Adjudication  
Visiting Officers Quarters  
DFW Airport Terminal E  
Flower Mound Town Hall  
West Memorial Place  
Midland Municipal Courts  
AEP Service  
Bexar Metro 911 Call Center **(FEMA)**  
MCESD #8 Fire Station **(FEMA)**  
Bayside Community Center  
Anniston, AL  
Anniston, AL  
Butler, AL  
Eutaw, AL  
Davis-Monthan AFB, AZ  
Luke AFB, AZ  
Alamosa, CO  
Aurora, CO  
Colorado Springs, CO  
Fort Carson, CO  
Fort Carson, CO  
Fort Carson, CO  
Buckley AFB, Aurora, CO  
Peterson AFB, CO  
Albuquerque, NM  
Albuquerque, NM  
Bernalillo, NM  
Clovis, NM  
Gallup, NM  
Holloman AFB, NM  
Los Alamos, NM  
Taos, NM  
Indian Springs, NV  
Las Vegas, NV  
Las Vegas, NV  
Las Vegas, NV  
Las Vegas, NV  
Las Vegas, NV  
Las Vegas, NV  
Las Vegas, NV  
Nellis AFB, NV  
Lovelock, NV  
Tinker AFB, OK  
Altus AFB, OK  
Norman, OK  
Portland, OR  
Abilene, TX  
Amarillo, TX  
Cisco, TX  
Dallas, TX  
Dyess AFB, TX  
Dallas Ft. Worth, TX  
Flower Mound, TX  
Houston, TX  
Midland, TX  
San Angelo, TX  
San Antonio, TX  
Spring, TX  
Tomball, TX



**Clark County  
Detention Center  
Las Vegas, NV**



**Federal Justice  
Tower  
Las Vegas, NV**



**Rocky Mountain Metals, Inc. is the proud supplier of hollow metal doors, frames and/or windows for these projects**

**Religious, Corporate, Retail and Commercial Buildings  
Image and Cost Efficiency**

When it comes to religious, corporate, retail and commercial buildings the top priorities are most often image and cost efficiency. You want to be able communicate strength and success but at the same keep things under pretty tight cost control. We have been trusted to support in these efforts by a number of very successful companies.

Arvest Data Center **(FEMA)**  
 Agua Fria Assisted Living  
 Yoga  
 Bank of Colorado  
 Rush Truck Center  
 Village at the Peaks  
 ABC Studios  
 Ocean Spray III  
 Bonnie Lane Senior Housing  
 Hilton Executive Offices  
 Switch Super NAP 8 Data Center  
 Veer Towers at City Center  
 Bohannon Huston  
 Intel Headquarters – Water Plant  
 Mesa Microlab  
 Christian Center Church  
 Wellbrook Senior Living  
 Weapons Integration Facility  
 HUB  
 National Cowboy Hall of Fame  
 Villas of the Benedictine  
 Affiliated Foods  
 Alpha Building Corporation  
 Amarillo Recovery from Alcohol and Drugs  
 Cinergy Entertainment Group  
 Potter County Law **(FEMA)**  
 Wiley Hicks, JR  
 Benbrook Animal Shelter  
 Harley Davidson  
 KPMG Plaza at Hall Arts  
 Sts. Peter and Paul Catholic Church  
 Chase Building  
 Alcon Labs  
 Facebook Data Center **(FEMA)**  
 Pier One Headquarters  
 Merrick Pet Foods  
 Energy Plaza  
 Riva at the Park Condominiums  
 West Memorial Place  
 Alliance Credit Union  
 American National Bank  
 Cabela's  
 XTO Energy Office  
 Helmerich & Payne Facility Expansion  
 St. Martin De Porres Catholic Church  
 TJ Maxx  
 Graystar TMC

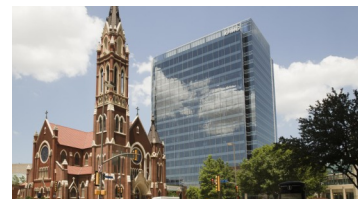
Rogers, AR  
 Peoria, AZ  
 Aspen, CO  
 Colorado Springs, CO  
 Commerce, CO  
 Longmont, CO  
 New York, NY  
 Henderson, NV  
 Las Vegas, NV  
 Las Vegas, NV  
 Las Vegas, NV  
 Las Vegas, NV  
 Albuquerque, NM  
 Albuquerque, NM  
 Albuquerque, NM  
 Hobbs, NM  
 Las Cruces, NM  
 Los Alamos, NM  
 Tulsa, OK  
 Oklahoma City, OK  
 Oklahoma City, OK  
 Amarillo, TX  
 Amarillo, TX  
 Amarillo, TX  
 Amarillo, TX  
 Amarillo, TX  
 Amarillo, TX  
 Benbrook, TX  
 Dallas, TX  
 Dallas, TX  
 Dumas, TX  
 Farmers Branch, TX  
 Fort Worth, TX  
 Fort Worth, TX  
 Fort Worth, TX  
 Hereford, TX  
 Houston, TX  
 Houston, TX  
 Houston, TX  
 Houston, TX  
 Lubbock, TX  
 Lubbock, TX  
 Lubbock, TX  
 Midland, TX  
 Odessa, TX  
 Prosper, TX  
 San Antonio, TX  
 Tomball, TX



**Switch SuperNAP 8  
Las Vegas, NV**



**West Memorial Place  
Houston, TX**



**KPMG Plaza at Hall Arts  
Dallas, TX**

# Rocky Mountain Metals, Inc. is the proud supplier of hollow metal doors, frames and/or windows for these projects

## Hotels - Hospitality and comfort coupled with safety and security

With Nevada and Texas as a base, we are a trusted supplier to the hospitality industry. We have a proven track record to be able to support our customers need to provide a high level of comfort but at the same time not compromise the safety and security for their guests. Our products show up in a number of very prestigious facilities and also in more cost conscious environments.

Hyatt  
Ritz Carlton  
Adam's Mark Hotel  
Vail Marriott  
The Miami Beach EDITION Hotel  
Embassy Suites  
Hampton Inn  
Howard Hughes Parkway  
Mirage Hotel Theater Center  
Polo Twin Towers  
Hilton Garden Inn  
Winstar Hotel and Casino  
Fifth Season Inn  
Marriott North  
Marriott South  
Marriott  
Hilton Garden Inn  
Marriott  
Townplace Suites

Sedona, AZ  
San Francisco, CA  
Denver, CO  
Vail, CO  
Miami, FL  
Las Vegas, NV  
Las Vegas, NV  
Las Vegas, NV  
Las Vegas, NV  
Las Vegas, NV  
Oklahoma City, OK  
Thackerville, OK  
Amarillo, TX  
Austin, TX  
Austin, TX  
Ft. Worth, TX  
Lubbock, TX  
Plano, TX  
Vernal, UT



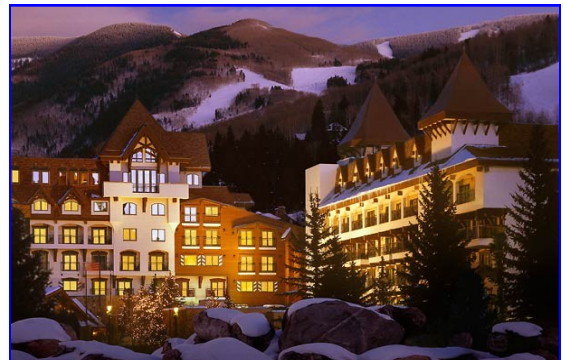
**The Miami Beach EDITION Hotel  
Miami, FL**



**Hyatt  
Sedona, AZ**



**Ritz Carlton  
San Francisco, CA**



**Marriott  
Vail, Colorado**

**Rocky Mountain Metals, Inc. is the proud supplier of hollow metal doors, frames and/or windows for these projects**

**Libraries - Serenity and design**

We are proud of the trust we have been shown and the opportunity we have been given to be part of the more prestigious libraries in the country. These are buildings where design and the feel of serenity are top priorities and it is certainly prestigious for a hollow metal company like Rocky Mountain Metals to support this.

JFK Library  
Lied Library  
Arlington Central Library  
TCU Mary Couets Burnett Library

Boston, MA  
Las Vegas, NV  
Arlington, TX  
Fort Worth, TX

**JFK Library  
Boston, MA**



**Casinos - Money, money, money...**

Our base in Las Vegas has provided us with ample opportunities to supply products to some of the most prestigious casinos in the world. Our products have proven to provide the right level of security and aesthetics to cater to this demanding market.



**Caesar's Palace  
Las Vegas, NV**

**The Orleans Hotel and Casino  
Las Vegas, NV**

- |                              |                  |
|------------------------------|------------------|
| Bally's Casino               | Las Vegas, NV    |
| Boardwalk Casino             | Las Vegas, NV    |
| Caesar's Palace              | Las Vegas, NV    |
| MGM Grand – Theatre          | Las Vegas, NV    |
| The Orleans Hotel and Casino | Las Vegas, NV    |
| Stratosphere                 | Las Vegas, NV    |
| Sunrise Casino               | Las Vegas, NV    |
| Treasure Island Casino       | Las Vegas, NV    |
| Winstar Hotel and Casino     | Thackerville, OK |

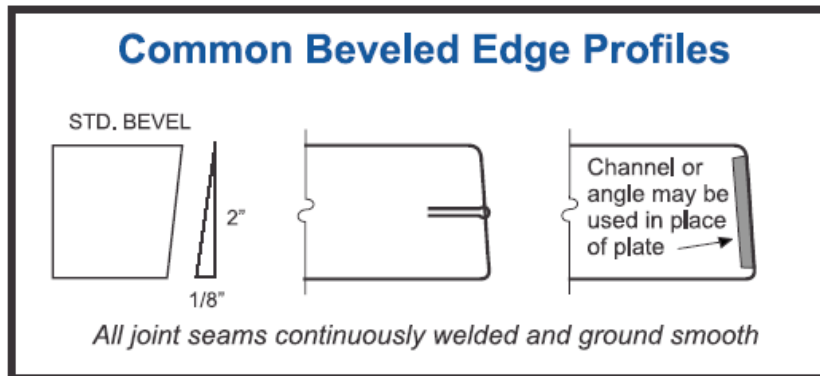
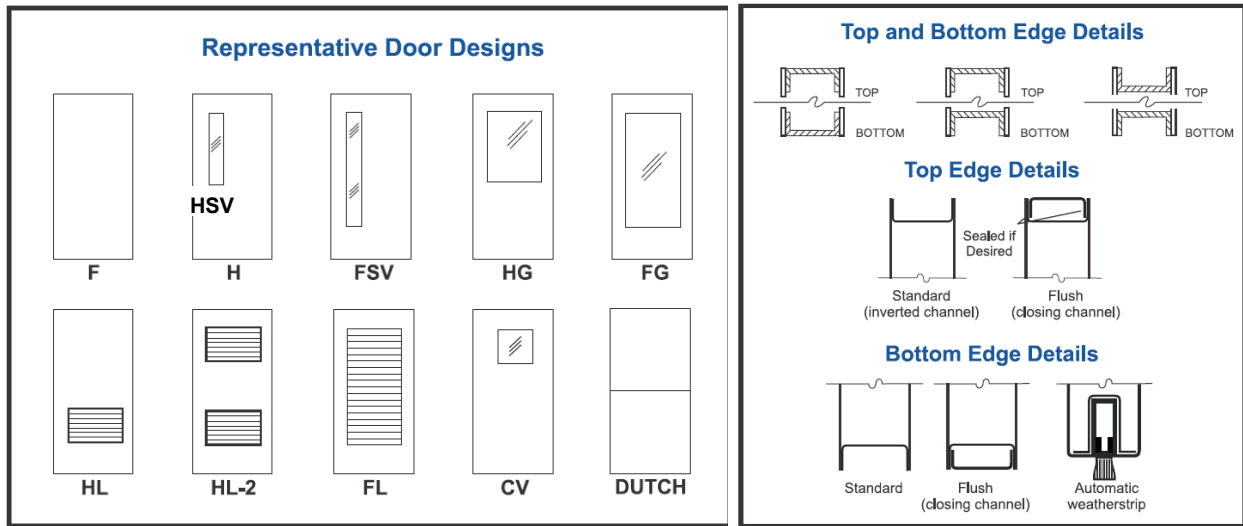




# Hollow Metal Doors

## A full line of Hollow Metal Doors

- 1100 Doors with Polystyrene Core
- 1200 Steel Stiffened Doors
- 1300 Temperature Rise Doors
- 1400 Doors for Tornado Solutions
- 1500 Lead lined Doors
- 1600 Dutch Doors



### Manufacturing Tolerances

Manufacturing tolerances shall be maintained within the following limits for Doors

Width +/- 1/32 in. (.08mm)

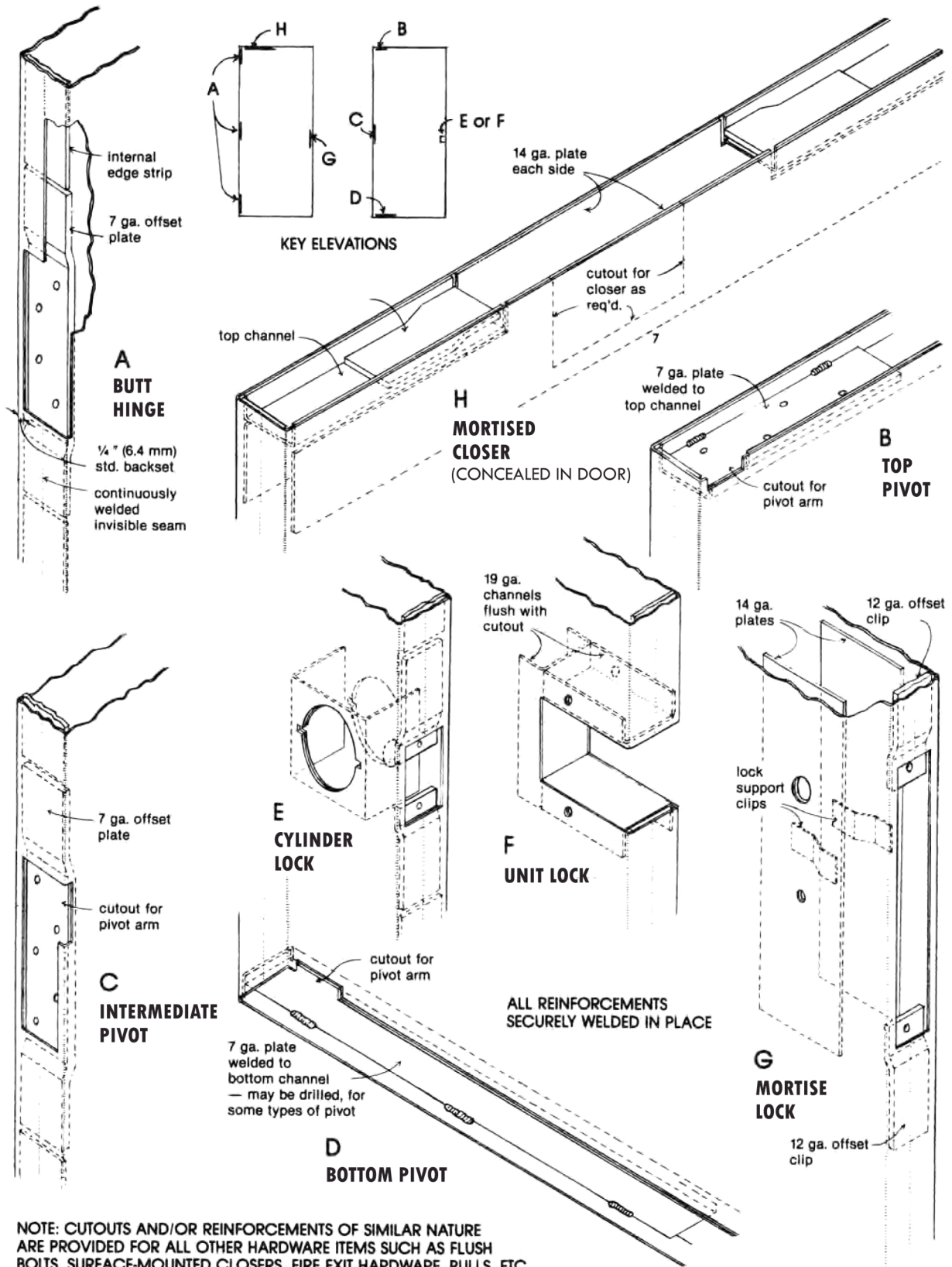
Height +/- 3/64 in. (1.2mm)

Thickness +/- 1/16 in. (1.6mm)

Hardware cutout dimensions/Template dimensions +0.015", -0"

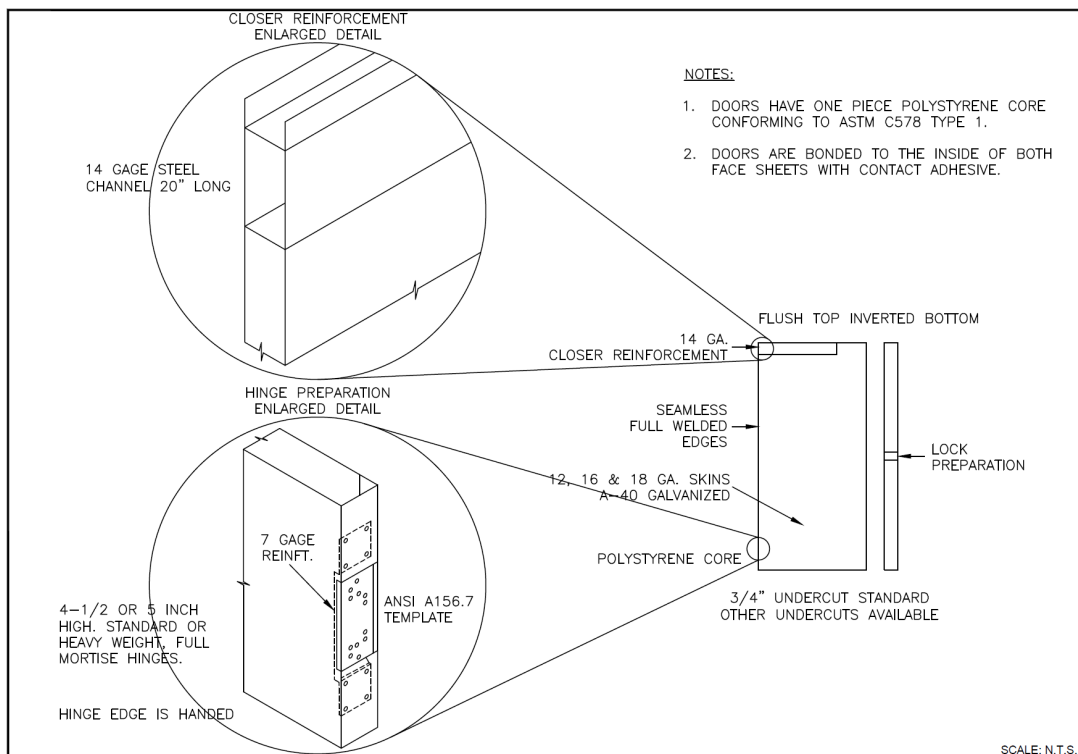
Hardware location +/- 1/32 in. (.08mm)

# Door Details - Typical Hardware Preparations



## 1100 Hollow Metal Door with Polystyrene Core/Fire Rated

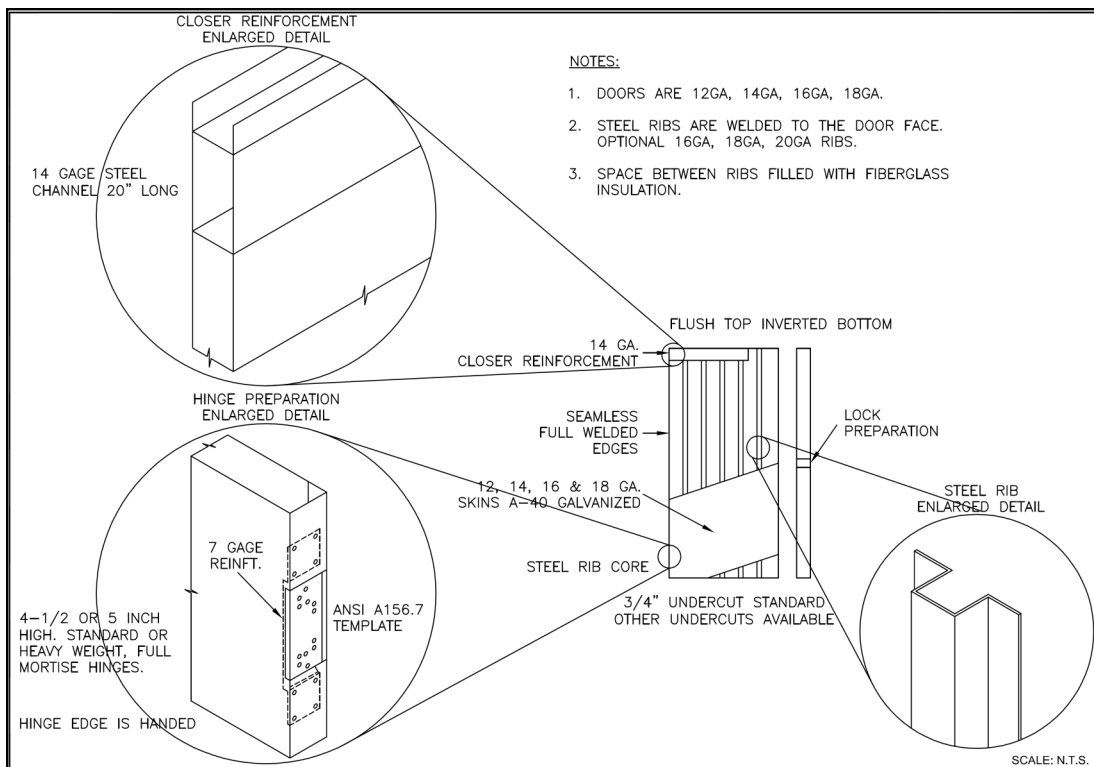
Face Material	Galvannealed A40 or A60 ASTM-A-653
Face thickness	12, 14, 16 and 18 Ga.
Construction	Rigid polystyrene core bonded to both face sheets
Door thickness	1 3/4" Standard
Hardware Locations	Any specified locations
Reinforcements	7 Ga. 1 1/4" x 10" joggled hinge reinforcement, drilled and tapped 12 Ga. mortise hardware tabs, drilled and tapped 14 Ga. surface hardware and trim reinforcement
Edge reinforcement	Both edges reinforced with 16 Ga. full length channels spot welded to the face sheets
Vertical edges	Fully welded with no visible seam (for doors up to 4' wide and 8' height)
Glazing/ Louvers	Glazing stops to be set for 1/4" glass (3/8" space) unless otherwise requested. Note: Glass should be cut 1/4" less than door cut out. Exposed glass opening is 1 5/16" less than cutout dimensions. Louver size is actual size of door cutout
Handing	Doors are handed
Appearance	Faces and edges free of defects, warp and buckle
Finish	Thoroughly cleaned and coated with a rust inhibiting primer meeting requirements as per ANSI/SDI A250.10
Fire Rated	3 ft. wide, 7ft. High doors can be manufactured fire rated up to 3 hours. Hardware can be mortise or cylindrical locks. Mortise or rim type fire exit hardware. Surface mounted vertical rod type fire exit hardware.





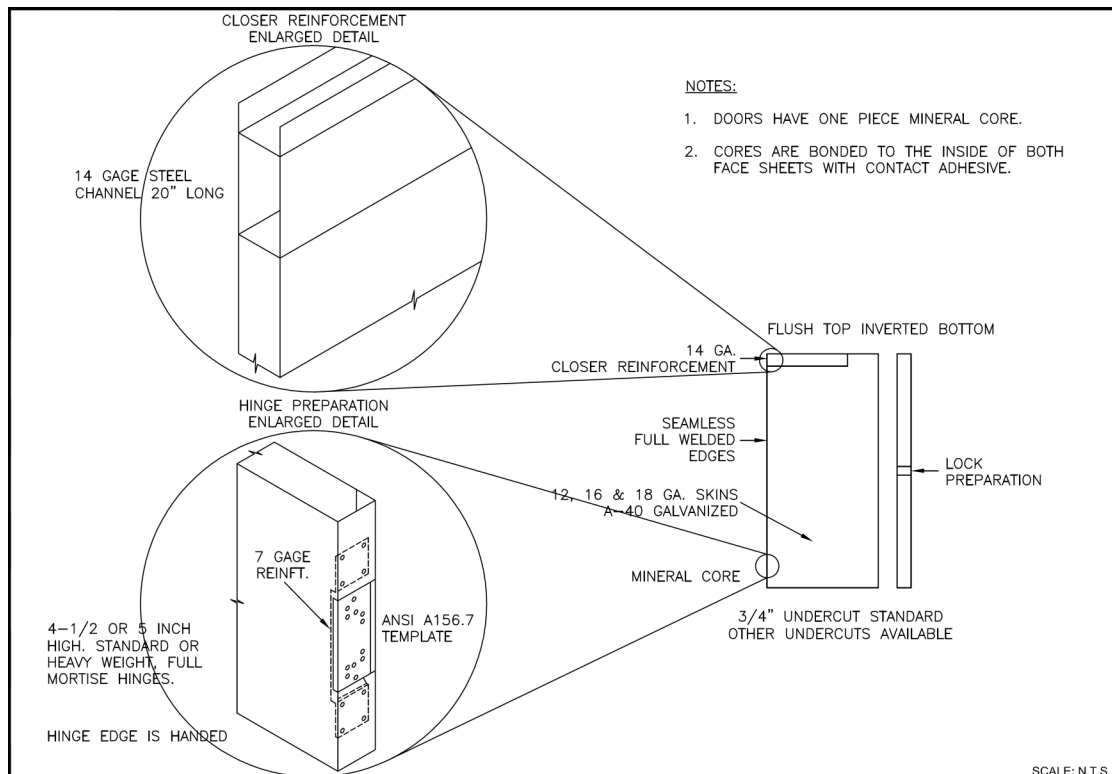
## 1200 Steel Stiffened Door / 1500 Lead Lined Door

Face Material	Galvannealed A40 or A60 ASTM-A-653
Face thickness	12, 14, 16 and 18 Ga.
Lead Lining	Center door lead lining (optional)
Construction	Hollow metal with vertical steel stiffeners (ribs). Space between ribs Insulated with glass wool insulation
Door thickness	1 3/4" Standard
Hardware Locations	Any specified location
Reinforcements	7 Ga. 1 1/4" x 10" joggled hinge reinforcement, drilled and tapped 12 Ga. mortise hardware tabs, drilled and tapped 14 Ga. surface hardware and trim reinforcement
Edge reinforcement	Vertical and horizontal edges reinforced with 16 Ga. (min) full length channels spot welded to the face sheets
Vertical edges	Fully welded with no visible seam (for doors up to 10' height and 4' width)
Glazing/ Louvers	Glazing stops to be set for 1/4" glass (3/8" space) unless other wise requested. Note: Glass should be cut 1/4" less than door cut out. Exposed glass opening is 1 5/16" less than cutout dimensions. Louver size is actual size of door cutout
Handing	Doors are handed
Appearance	Faces and edges free of defects, warp and buckle
Finish	Thoroughly cleaned and coated with a rust inhibiting primer meeting requirements as per ANSI/SDI A250.10
Options	UL Labeling requirements as specified



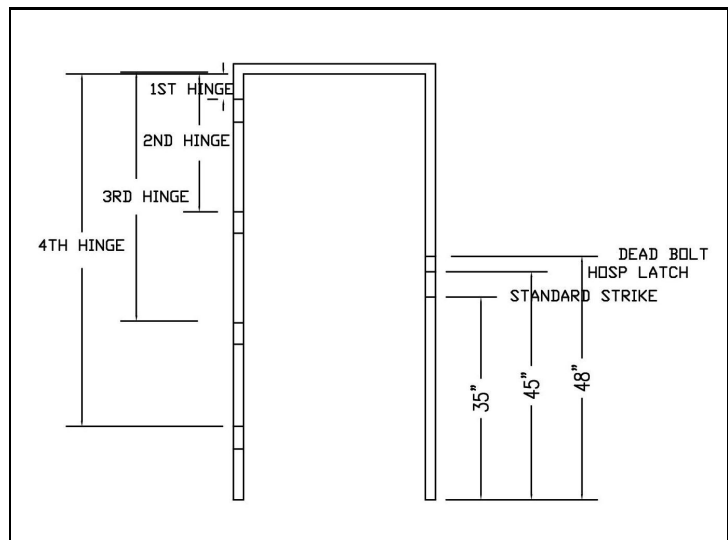
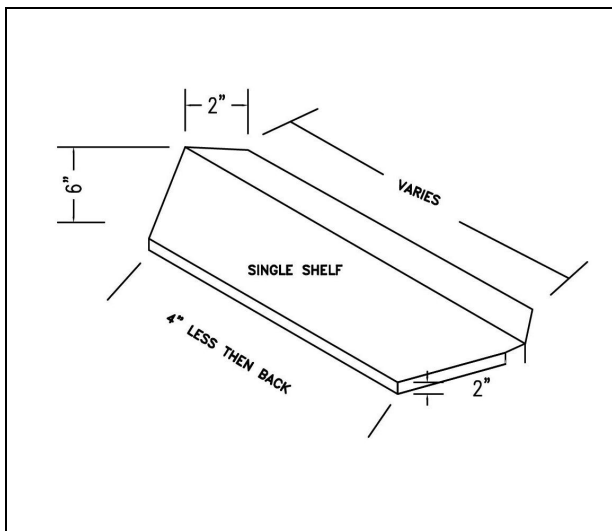
# 1300 Temperature Rise Door

Face Material	Galvannealed A40 or A60 ASTM-A-653
Face thickness	12, 14, 16 and 18 Ga.
Construction	Rigid mineral board core bonded to both face sheets
Door thickness	1 3/4" Standard
Hardware Location	Any specified locations
Reinforcements	7 Ga. 1 1/4" x 10" joggled hinge reinforcement, drilled and tapped 12 Ga. mortise hardware tabs, drilled and tapped 14 Ga. surface hardware and trim reinforcement
Edge reinforcement	Vertical and horizontal edges reinforced with 16 Ga. full length channels spot welded to the face sheets
Vertical edges	Fully welded with no visible seam (for doors up to 10' height and 4' width)
Glazing	Glazing stops to be set for 1/4" glass (3/8" space) unless other wise requested. Note: Glass should be cut 1/4" less than door cut out. Exposed glass opening is 1 5/16" less than cutout dimensions. Glass area up to 100 sq. inches.
Handing	Doors are handed
Appearance	Faces and edges free of defects, warp and buckle
Finish	Thoroughly cleaned and coated with a rust inhibiting primer meeting requirements as per ANSI/SDI A250.10
Temperature Options	60-180 min. Labels available for 450 degree and 250 degree temp. UL Labeling requirements as specified



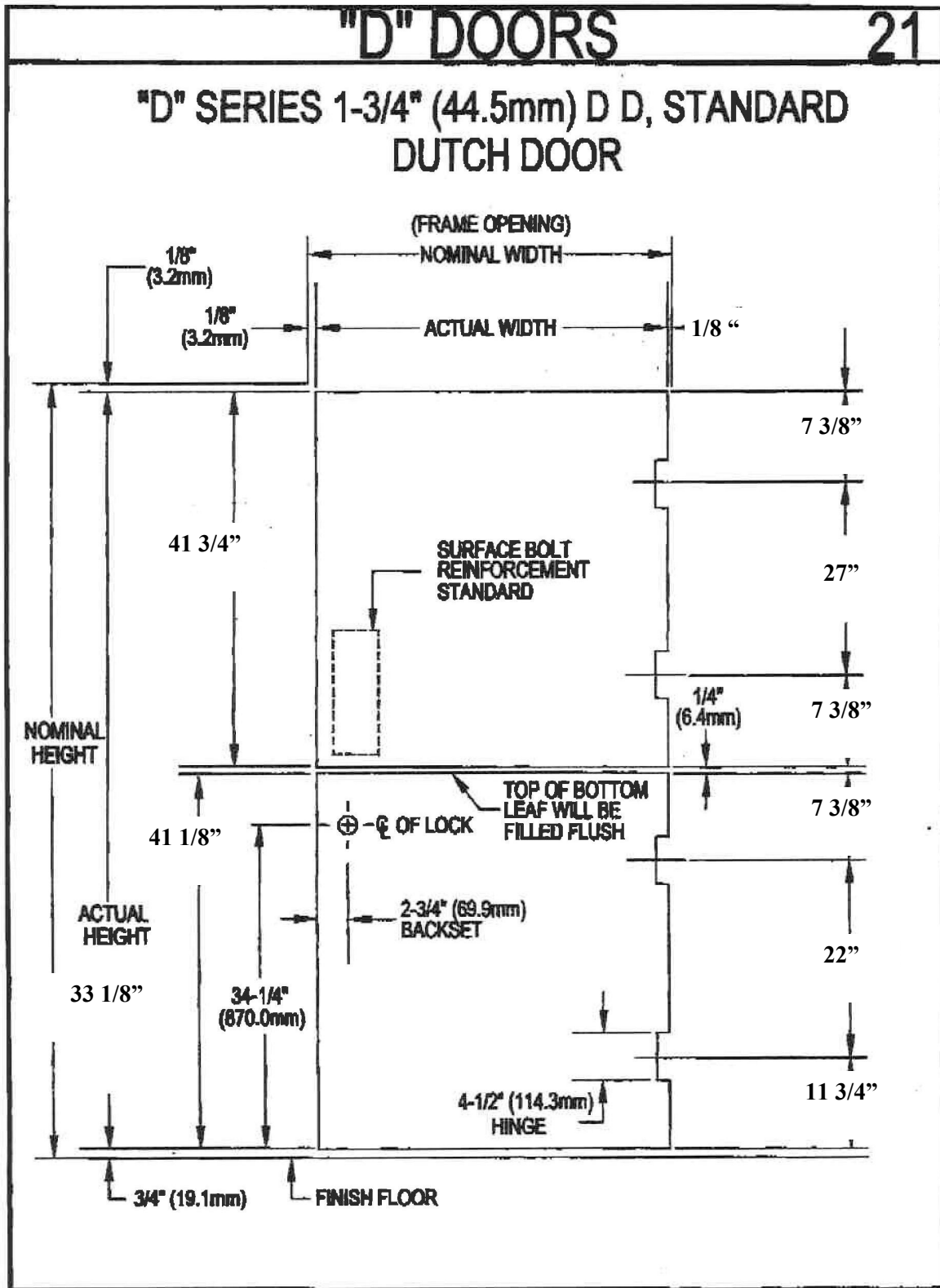
## 1600 Dutch Doors

Face Material	Galvannealed A40 or A60 ASTM-A-653
Face thickness	12, 14, 16 and 18 Ga.
Construction	Can be manufactured as a Polystyrene Core (1100 door) or Steel Stiffened Door (1200 door)
Door thickness	1 3/4" Standard
Hardware Locations	Any specified locations
Reinforcements	7 Ga. 1 1/4" x 10" joggled hinge reinforcement, drilled and tapped 12 Ga. mortise hardware tabs, drilled and tapped 14 Ga. surface hardware and trim reinforcement
Edge reinforcement	Both edges reinforced with 16 Ga. full length channels spot welded to the face sheets
Vertical edges	Fully welded with no visible seam (for doors up to 4' wide and 8' high)
Glazing/ Louvers	Glazing stops to be set for 1/4" glass (3/8" space) unless otherwise requested. Note: Glass should be cut 1/4" less than door cut out. Exposed glass opening is 1 5/16" less than cutout dimensions. Louver size is actual size of door cutout
Handing	Doors are handed
Appearance	Faces and edges free of defects, warp and buckle
Finish	Thoroughly cleaned and coated with a rust inhibiting primer meeting requirements as per ANSI/SDI A250.10
Options	Shelf available as specified





1600 Dutch Doors



# Hollow Metal Frames

## A full line of standard and custom frames:

- Standard door frames, fully or face welded, optional with Hospital stops
- Window frames
- Sidelights
- Standard, window and sidelight frames can be supplied lead lined
- Knock down (KD) frames for welding
- Dry wall knock down (KD frames)
- Custom frames
- Pocket Frames
- Double Egress Frames
- Frames available in 12 GA, 14 GA and 16 GA

### Manufacturing Tolerances for Frames

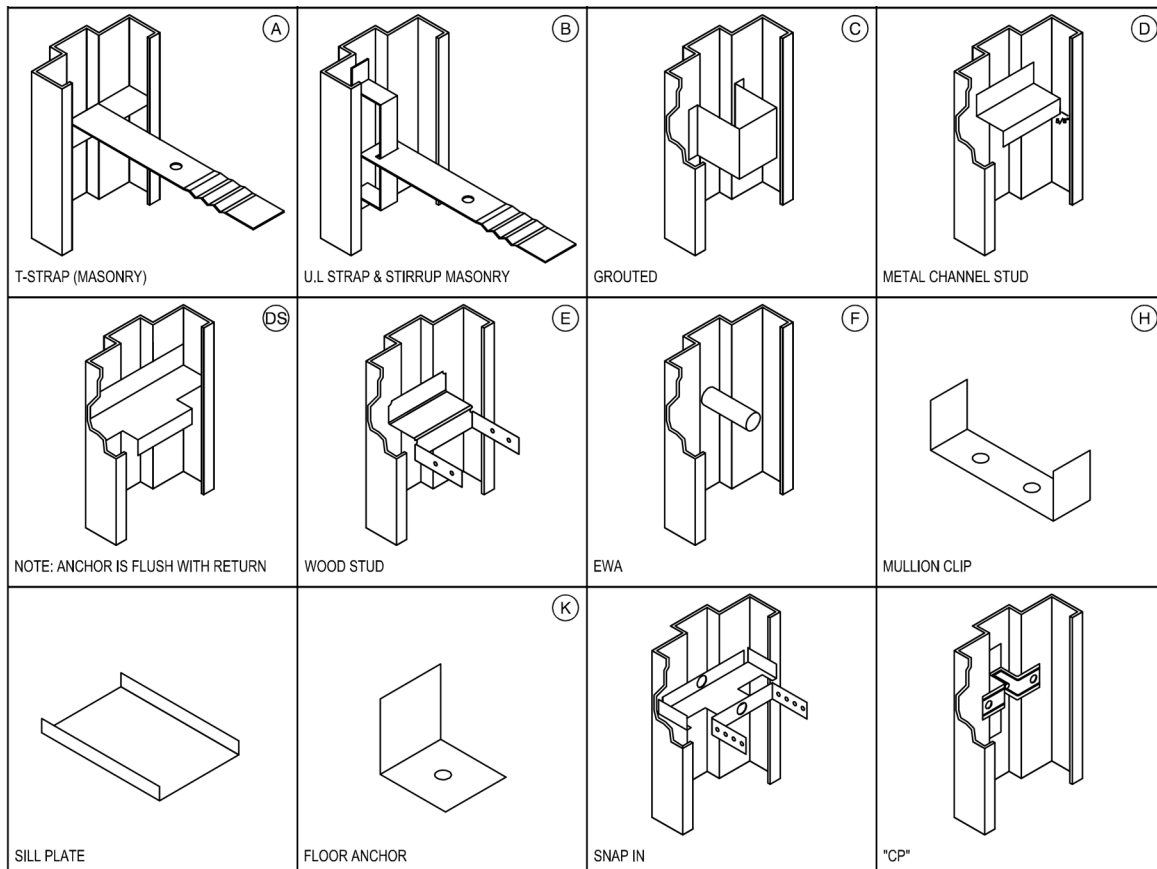
Frames for single door or pair of doors:

Width, measured between rabbets at the head; nominal opening width  $+1/18'' - 1/32''$

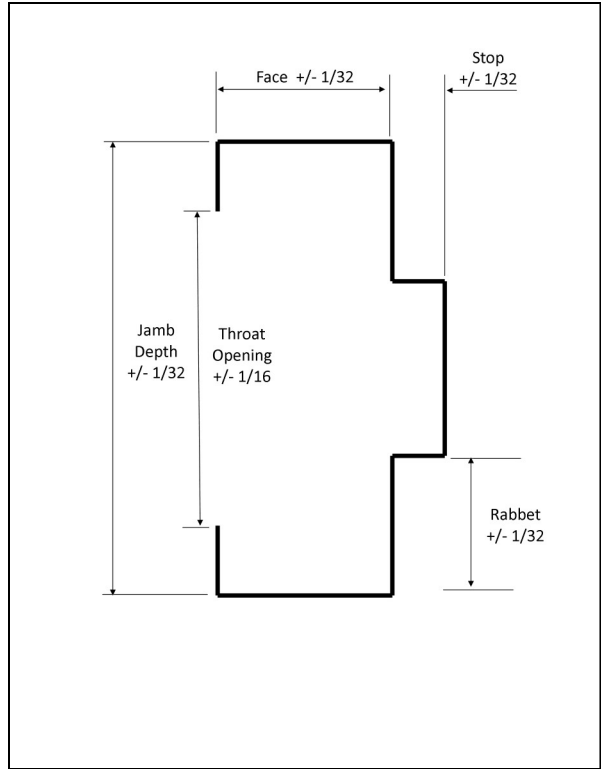
Height (total length of jamb rabbet): nominal opening height  $\pm 3/64''$

Frames overlapping walls to have throat dimension  $1/8''$  greater than dimensioned wall thickness to accommodate irregularities in wall construction.

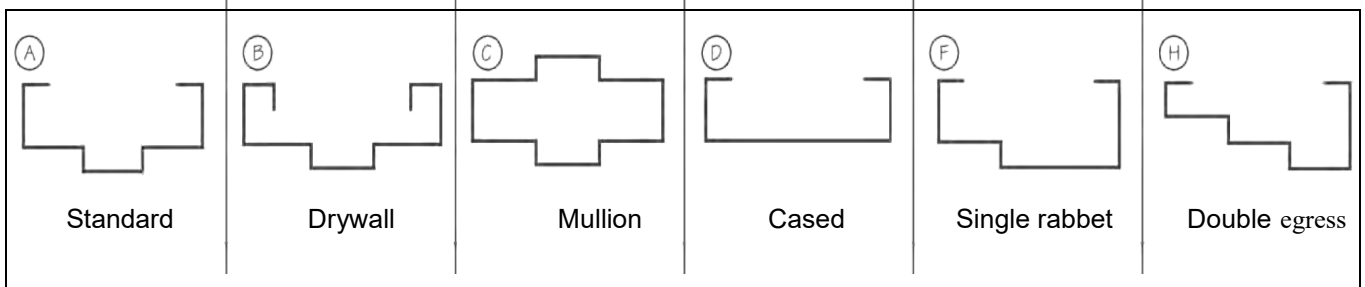
### Standard frame anchors



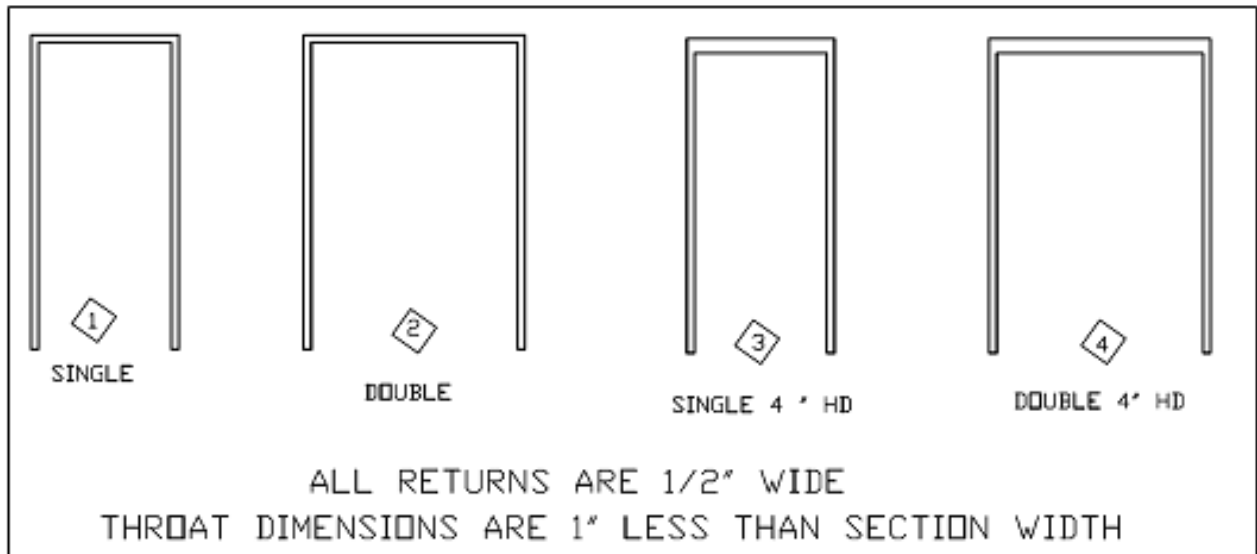
# Hollow Metal Frames



## Standard frame sections



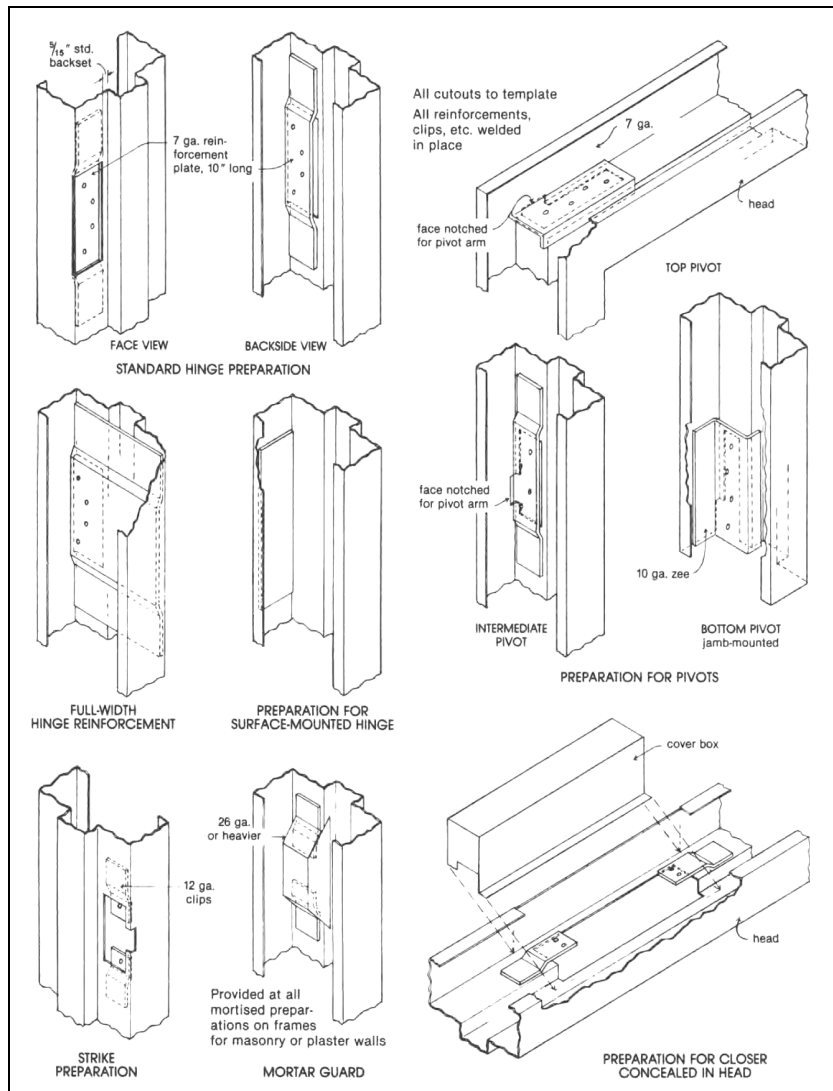
## Standard frame elevations



## Welded Frames

Material	Galvannealed A40 ASTM-A-653
Thickness	12, 14 and 16 Ga.
Construction	Mitered and welded face and back alternatively welded face only
Appearance	Square, true and free of defects, warp and buckle
Hardware	7 Ga. 1 1/4" x 10" joggled hinge reinforcement, drilled and tapped. 12 Ga hardware reinforcements. Backwelded for additional strength. Also mortised, enforced, drilled and tapped at the factory for hardware in accordance with approved schedule and templates provided by hardware contractor. Strike jambs prepared for three rubber silencers, unless otherwise specified
Anchors	Anchors as specified. For standard frames, four 16 Ga. weld in sill anchors per jamb
Guards	Dust covers on all frames. Mortar guards on frames for masonry walls.
Spreaders	Temporary spreader bars welded to the bottom of all three sided frames. To be removed before installation
Marking	Embossed with opening numbers above the middle hinge. In the jamb for continuous hinge frames
Finish	Thoroughly cleaned and coated with a rust inhibiting primer meeting requirements as per ANSI/SDI A250.10

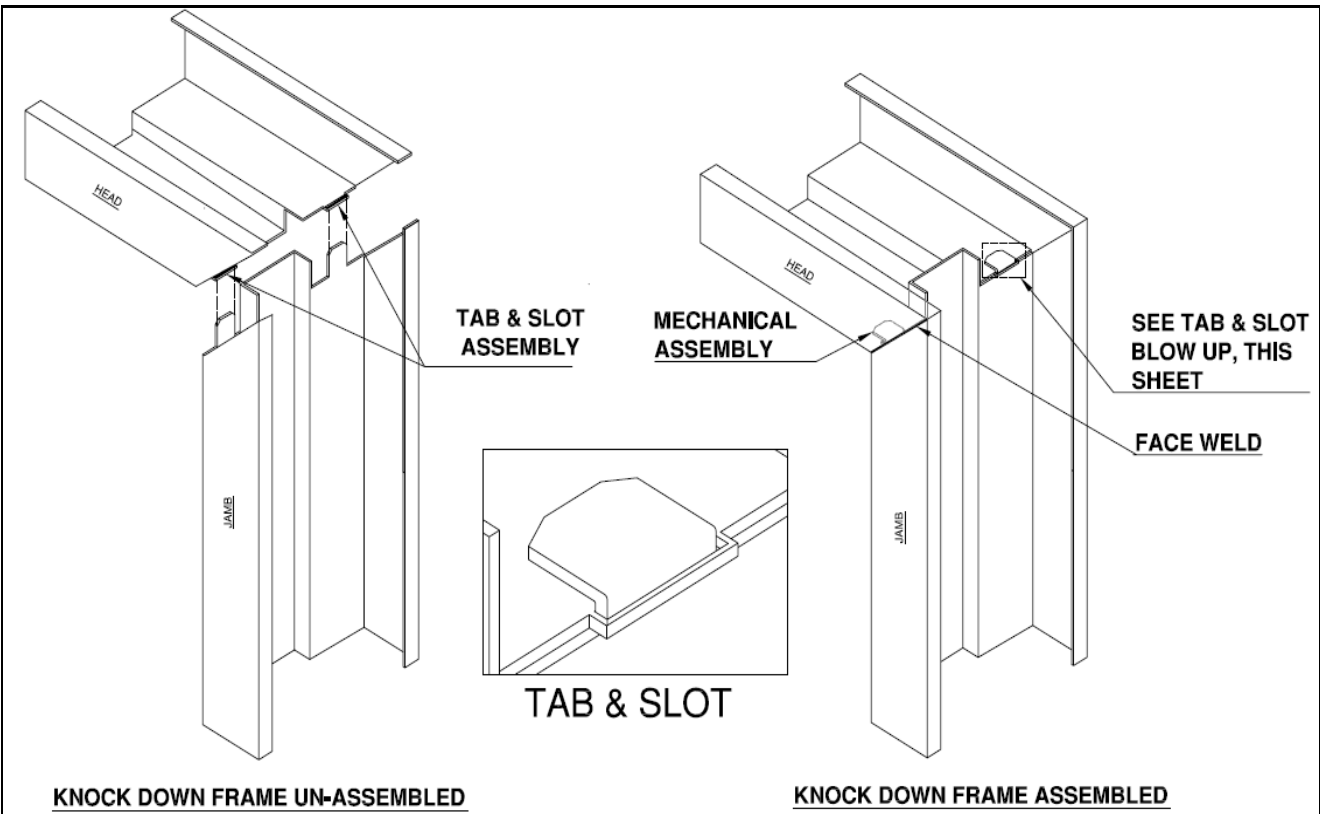
### Typical Hardware Preparations



## Knockdown (KD) Frames

The frames provided by Rocky Mountain Metals, Inc. are of two types. They are either made to be welded or to be installed in a pre-installed or existing drywall wall.

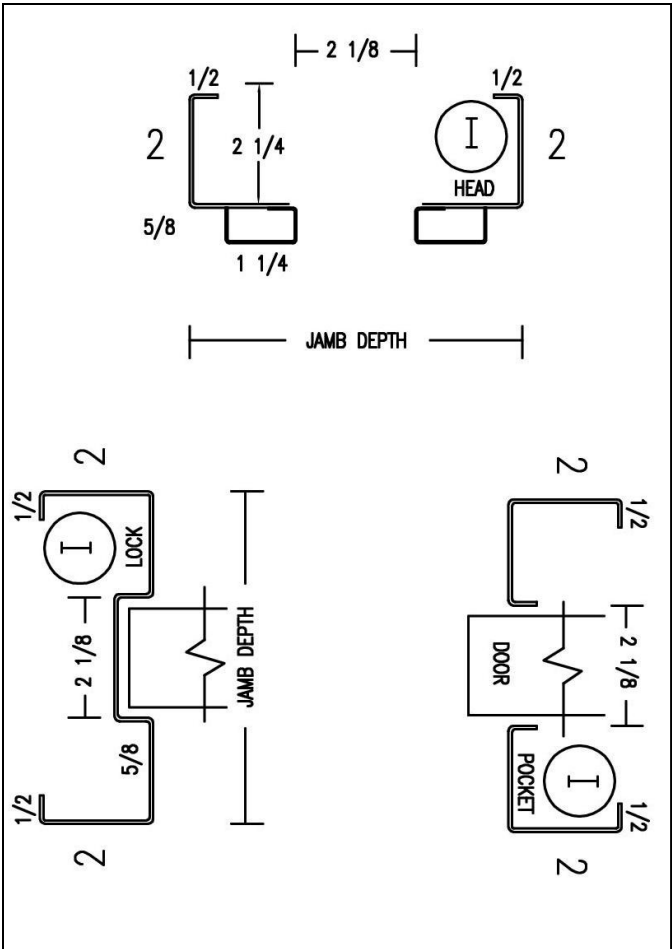
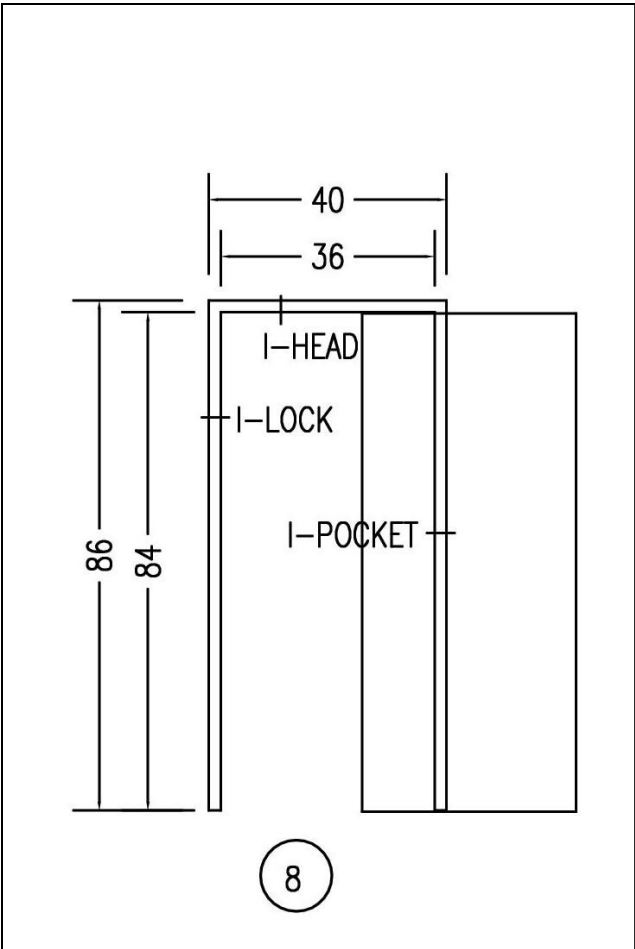
Material	Galvannealed A40 ASTM-A-653
Thickness	12, 14 and 16 Ga.
Construction	Mitered with self aligning tabs and slots for securely locking the corners
Appearance	Free of defects, warp and buckle
Hardware	7 Ga. 1 1/4" x 10" joggled hinge reinforcement, drilled and tapped. Back welded for additional strength. Also mortised, enforced, drilled and tapped at the factory for hardware in accordance with approved schedule and templates provided by Hardware Contractor. Strike jambs prepared for three rubber silencers, unless otherwise specified
Anchors	Anchors as specified. For standard frames, four 16 Ga. weld in sill anchors per jamb
Guards	Dust covers on all frames. Mortar guards on frames for masonry walls. KD frames for drywall walls supplied with one compression anchor per jamb
Marking	Embossed with opening numbers above the middle hinge. In the head for continuous hinge frames. Temporary marking of heads and jamb to ensure correct pairing
Finish	Thoroughly cleaned and coated with a rust inhibiting primer meeting requirements as per ANSI/SDI A250.10





# Pocket Frames

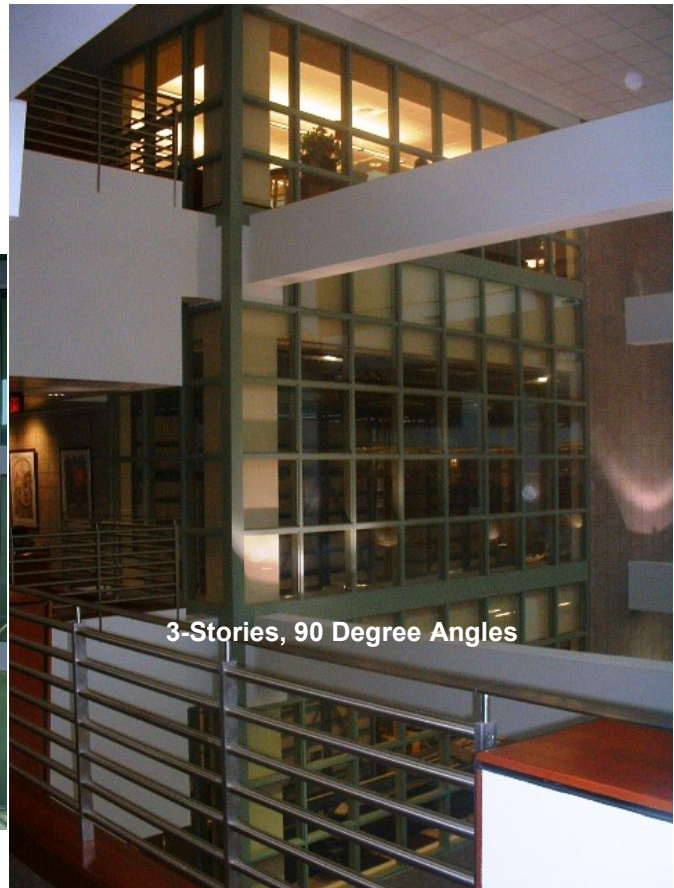
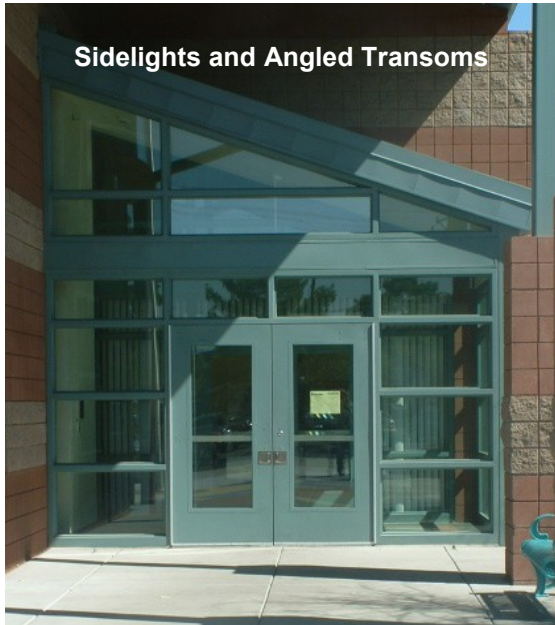
Material	Galvannealed A40 ASTM-A-653
Thickness	12, 14 and 16 Ga.
Construction	Mitered and welded face and back alternatively welded face only
Appearance	Square, true and free of defects, warp and buckle
Hardware	Optional prep to accept hardware as specified
Anchors	Anchors to meet any wall construction
Strike	Any specified location
Jamb Width	6" Standard
Guards	Dust covers on all frames. Mortar guards on frames for masonry walls.
Spreaders	Temporary spreader bars welded to the bottom of all three sided frames. To be removed before installation
Marking	Embossed with opening numbers above the middle hinge. In the jamb for continuous hinge frames
Finish	Thoroughly cleaned and coated with a rust inhibiting primer meeting requirements as per ANSI/SDI A250.10
NOTE	Sliding and tracking not provided



## Custom Frames

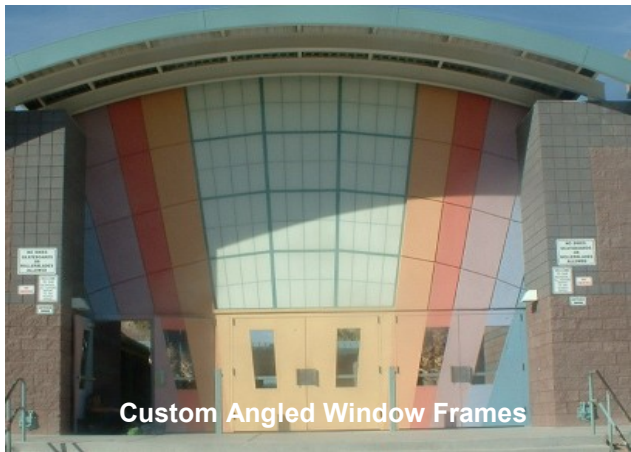
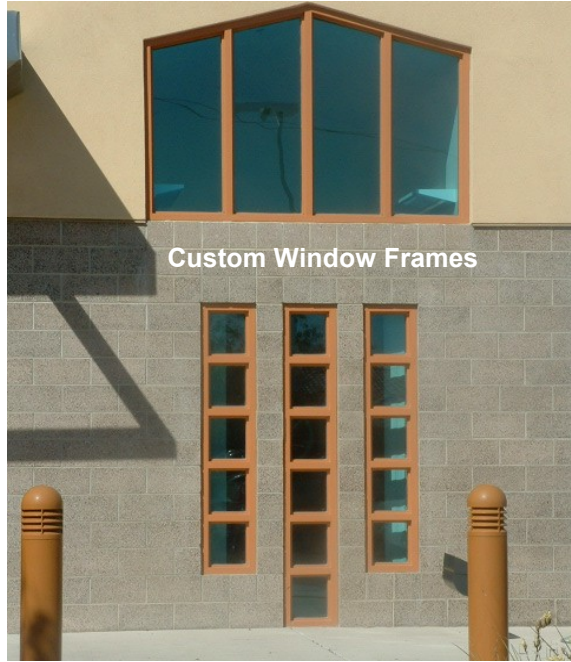
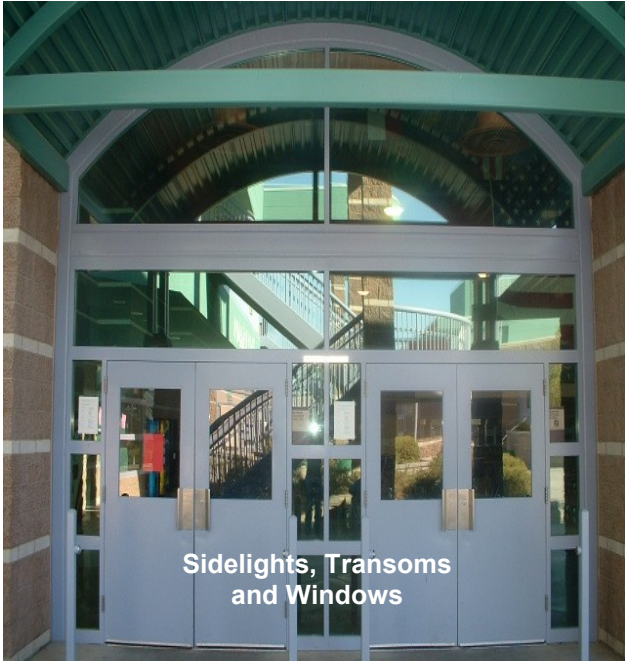
Rocky Mountain Metals, Inc. has been in business since 1988 and our entire focus is on hollow metal manufacturing. Our plant is fully equipped with modern equipment to cater to your Standard and Custom Hollow Metal needs.

We have the ability to produce complex custom configurations to meet a wide variety of individual needs. Our strong focus is on quick quoting, quality, cost efficiency and quick shipping. In addition to your specific needs and specifications, our products are built by elements according to the NAAMM Standard HMMA 860, 861 and 862. We are a member of NAAMM and we manufacture products in accordance with the Steel Door Institute standards.





# Custom Frames



## Tornado Resistant Openings



Rocky Mountain Metals, Inc. introduces Openings Solutions classified to FEMA P-361 (2015) and certified to ICC 500 (2014). These openings are tested as complete assemblies including doors, frames and hardware as required by the International Building Code for use in tornado shelters in Group E occupancies. This includes among other applications new construction at K-12 schools and extends to critical emergency operation facilities.

The offerings consists of openings of up to 8 ft. in width and 9 ft. in height for double doors and 4 ft. in width and 9 ft. in height for single doors and is also extended to shutters (openings with four sided frames).

### **Single Doors and Shutters**

Min dimensions	width	2 ft 6 inches
	height	4 ft
Max dimensions	width	4 ft
	height	9 ft
In and out swing		

### **Double doors**

Min dimensions	width	6 ft
	height	6 ft 8 inches
Max dimensions	width	8 ft
	height	9 ft
Out swing only		

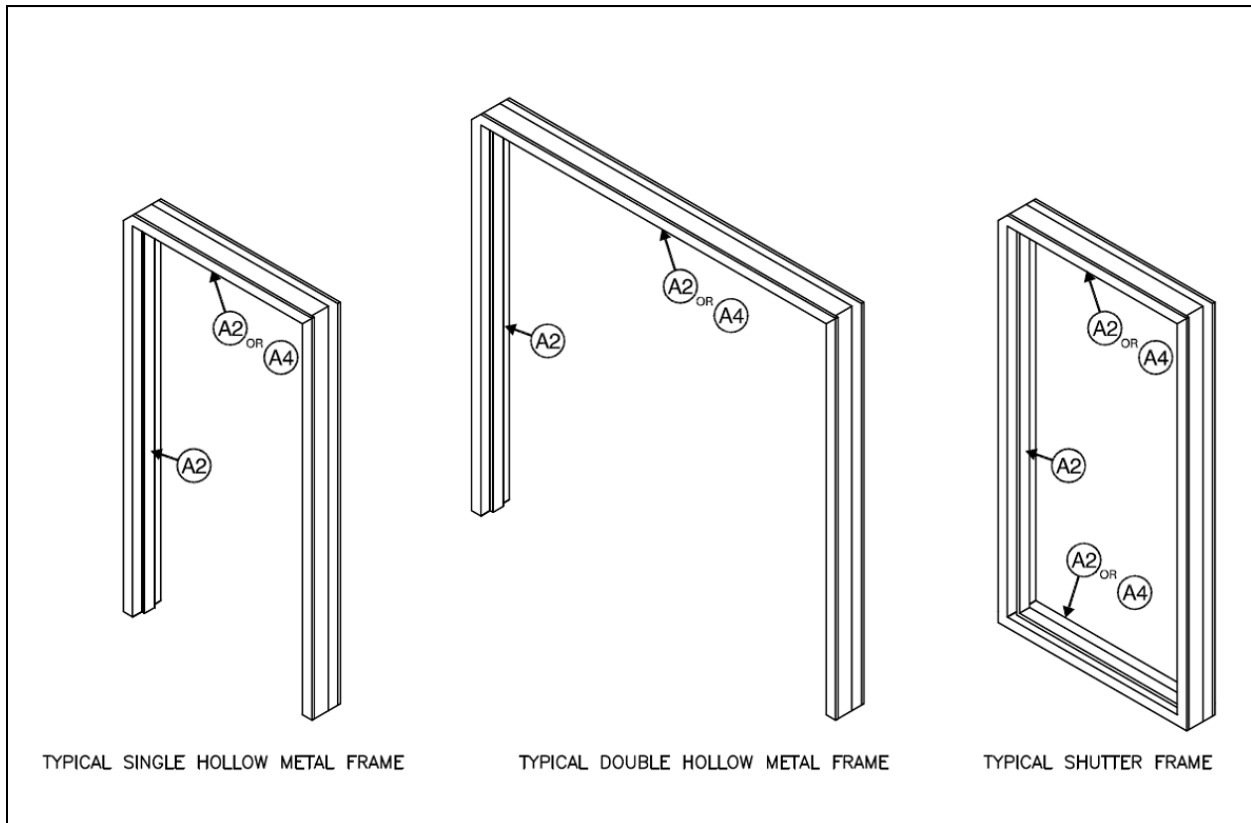
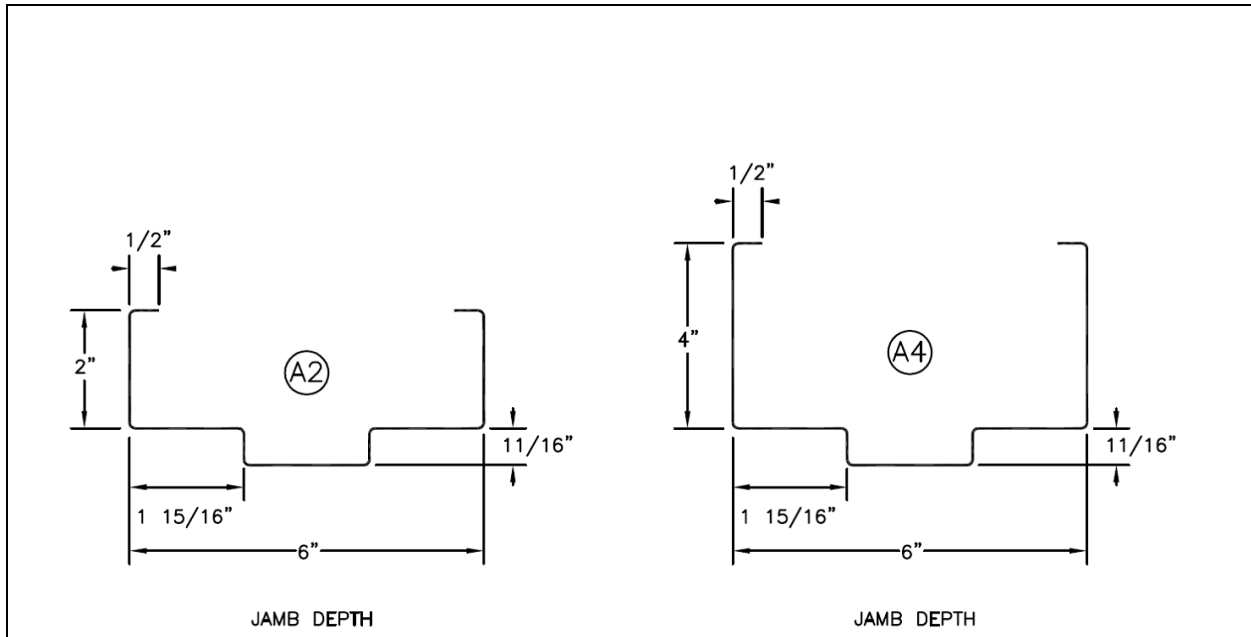
## 1400 FEMA Frame and Shutter Frame Details for Tornado Resistant Openings

Material	Galvannealed A40 ASTM-A-653
Thickness	14 Ga. Galvannealed
Dimensions	2" jambs and 2" or 4" heads as specified
Construction	Mitered and welded face and back
Appearance	Square, true and free of defects, warp and buckle
Reinforcements	4 pcs 7 Ga. 1 1/4" x 10" joggled hinge reinforcement, drilled and tapped. Back welded for additional strength Strike and bolt preps 12 Ga. x 12" long, spot and MIG welded Strike jambs prepared for three rubber silencers, unless otherwise specified
Hardware Locations	Any specified locations
Guards	Dust covers on all frames. Mortar guards on frames for masonry walls
Wall Anchors	Below 7' in Height - 4 anchors 7' and above in Height - 5 anchors
Head Anchors	5' and above in Width - 2 anchors
Bolts	As per specified by RMMI
Spreaders	Temporary spreader bars welded to the bottom of all three sided frames. To be removed before installation
Marking	Embossed with opening numbers above the middle hinge. In the jamb for continuous hinge frames
Finish	Thoroughly cleaned and coated with a rust inhibiting primer meeting requirements as per ANSI/SDI A250 10
Options	UL labeling requirements as specified
Shutter Frame Sizes	Min: 2' 6" x 4'                      Max: 4' x 9'
Door Frame Sizes	Min: 2' 6" x 4'                      Max: 8' x 9'

Shutter Frames are manufactured as four sided frames

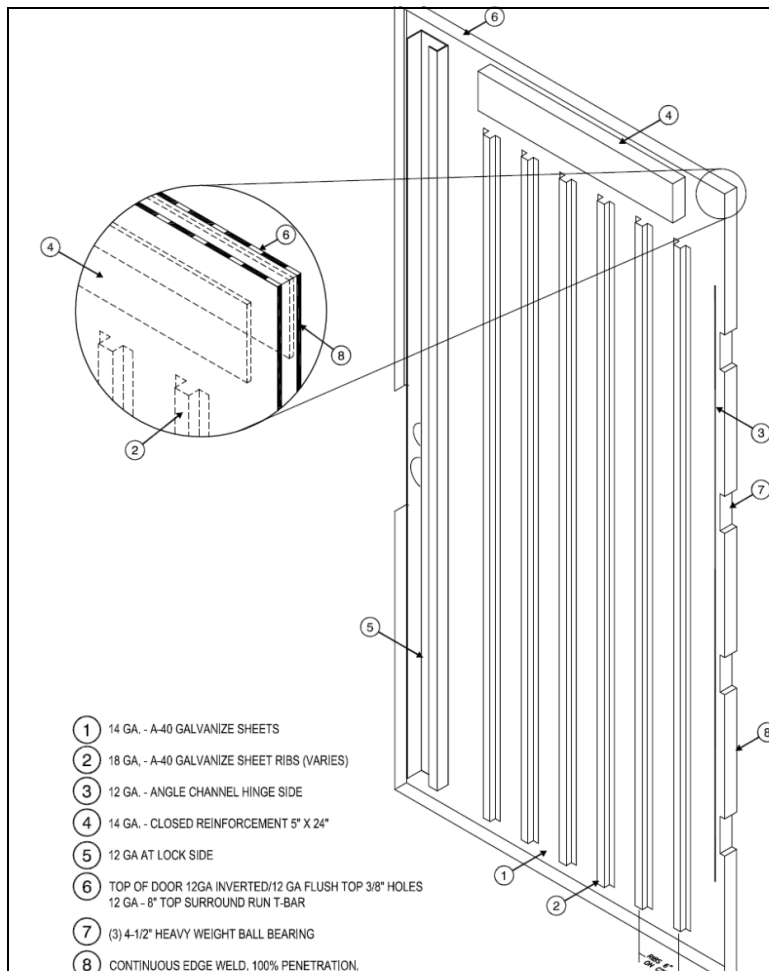


# 1400 FEMA Frames for Tornado Resistant Openings



## 1400 FEMA Door/Shutter for Tornado Resistant Openings

Face Material	Galvannealed A40 or ASTM-A-653
Face thickness	14 Ga.
Construction	Hollow metal with 18 Ga. vertical steel stiffeners (ribs). Space insulated with glass wool insulation between ribs. Flush construction
Door thickness	1 3/4" Standard
Hardware Locations	Per Project Requirements
Reinforcements	7 Ga. 1 1/4" x 10" joggled hinge reinforcement, drilled and tapped 12 Ga. mortise hardware tabs, drilled and tapped 12 Ga. surface hardware and trim reinforcement
Edge reinforcement	Horizontal and vertical edges reinforced with 12 Ga. (min) full length channels spot welded to the face sheets
Vertical edges	Fully welded with no visible seam
Handing	Doors are handed
Appearance	Faces and edges free of defects, warp and buckle
Finish	Thoroughly cleaned and coated with a rust inhibiting primer meeting requirements as per ANSI/SDI A250.10
Options	UL Labeling requirements as specified



## Leadership in Energy and Environmental Design (LEED)

LEED – The Leadership in Energy and Environmental Design Green Building System is the nationally accepted rating system for the design, construction and operation of sustainable and energy efficient buildings. The LEED Certification promotes a complete building system and focuses on five key areas of human and environmental health:

- Sustainable site development
- Water savings
- Energy efficiency
- Materials selection
- Indoor environmental quality

All products from Rocky Mountain Metals, Inc. qualify for LEED Credits as per below:

Full credit for recycled content MR.4.1 and 4.2 as Doors as well as Frames from Rocky Mountain Metals, Inc. contain more than 25% recycled material as per the LEED Definitions (100% of Post Consumer and 50% of Pre Consumer Recycled Content).

For further information about the requirements see below:

Credit	Requirement
<b>Recycled Content MR 4.1</b>	Use material with recycled content such that the sum of the post-consumer recycled content plus 50% of the pre-consumer content constitutes at least 10% of the total values of the material in the project
<b>Recycled Content MR 4.2</b>	Use material with recycled content such that the sum of the post-consumer recycled content plus 50% of the pre-consumer recycled content constitutes an additional 10% beyond MR 4.1 Credit (total 20%) based on cost of the total values of the material in the project
<b>Regional Materials MR 5.1</b>	Use a minimum of 20% of the combined value of construction and Division 12 materials and products that are manufactured (final assembly of components) within a radius of 500 miles.

Definitions:

*Post-consumer recycled content* – Waste material generated by households or by commercial, industrial or institutional facilities in their role as end-users of the product, which can no longer be used for its intended purposes.

*Pre-consumer (post-industrial) recycled content* – scraps left over during industrial or manufacturing processes, which are subsequently reused.

# Contact Information

You can reach us at Rocky Mountain Metals, Inc.

Phone: 575.445.2756 Fax: 575.303.7069

## Email

info@rockymountainmetals.com  
sales@rockymountainmetals.com

## Production / GM

Ron Gonzales rgonzales@rockymountainmetals.com

## Sales and Estimating

Brittan Buchanan bbuchanan@rockymountainmetals.com  
Jae Leavitt jleavitt@rockymountainmetals.com

## Delivery and Billing

Melanie Wahl mwahl@rockymountainmetals.com

## Engineering

Larry Whitish lwhitish@rockymountainmetals.com

You can also find us online at

[RockyMountainMetals.com](http://RockyMountainMetals.com)



**Questions?  
Contact Us**  
1-575-445-2756



## CERTIFICATIONS



Read more at <http://industries.ul.com/building-materials>

### BUY AMERICAN ACT

All Rocky Mountain Metals, Inc. standard and custom hollow metal frames and doors are manufactured in their New Mexico manufacturing plant from materials produced substantially in the United States and as such, meet the requirements of 41 U.S.C 10, commonly known as the Buy-American Act. In addition, all Rocky Mountain Metals, Inc. products meet the “Made in USA” standards set forth by the Federal Trade Commission (FTC) Act and Enforcement Policy Statement.



**MEMBER**

### **Rocky Mountain Metals, Inc.**

140 Coal St. • Raton, New Mexico 87740

Phone: 575.445.2756 • Fax: 575.303.7069

[info@rockymountainmetals.com](mailto:info@rockymountainmetals.com)

[www.rockymountainmetals.com](http://www.rockymountainmetals.com)