



Hollow Metal Frames

A full line of standard and custom frames:

- Standard door frames, fully or face welded, optional with Hospital stops
- Window frames
- Sidelights
- Standard, window and sidelight frames can be supplied lead lined
- Knock down (KD) frames for welding
- Dry wall knock down (KD frames)
- Custom frames
- Pocket Frames
- Double Egress Frames

Manufacturing Tolerances for Frames

Frames for single door or pair of doors:

Width, measured between rabbets at the head; nominal opening width $+1/18'' - 1/32''$

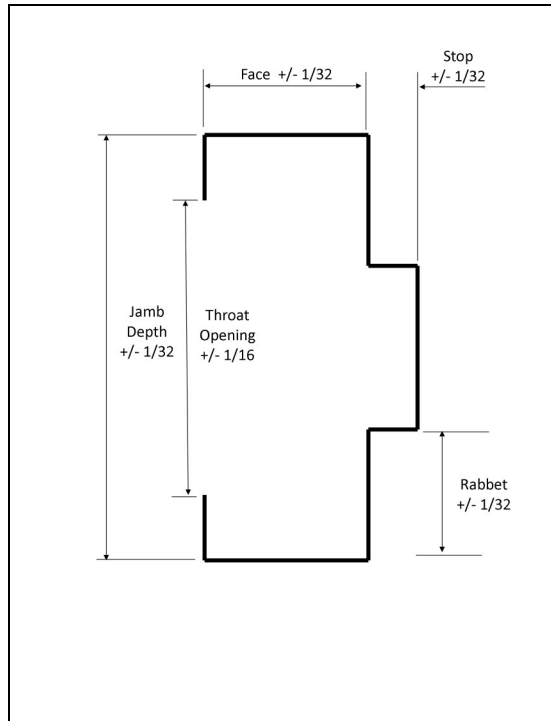
Height (total length of jamb rabbet): nominal opening height $\pm 3/64''$

Frames overlapping walls to have throat dimension $1/8''$ greater than dimensioned wall thickness to accommodate irregularities in wall construction.

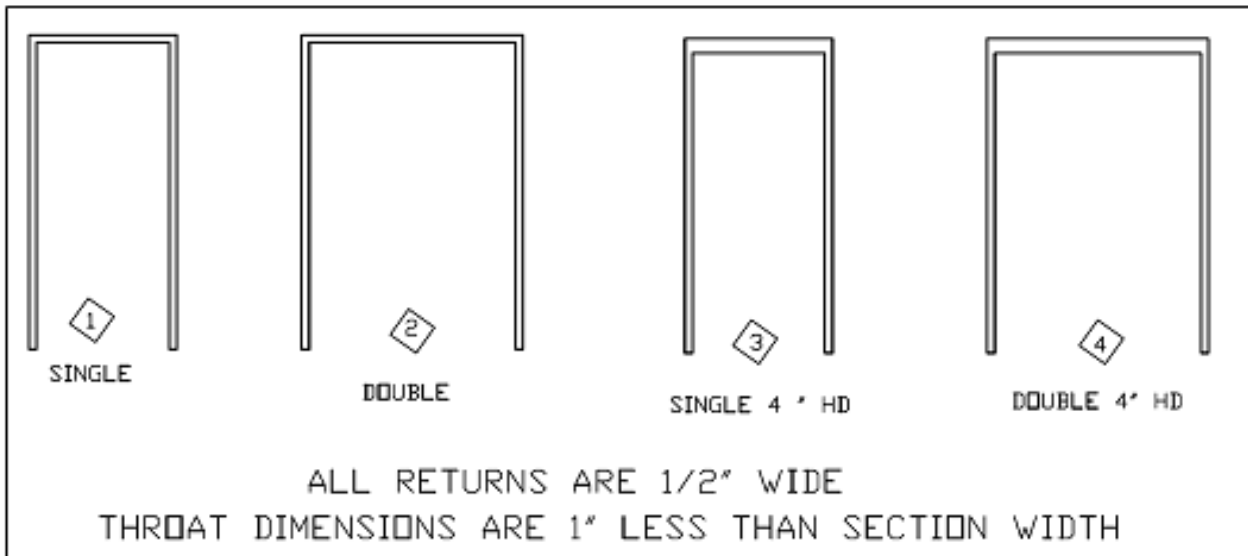
Standard Frame Details

- All miters are die cut to permit close tolerances. Inside perimeter of stop and face trim joints are welded, exposed welds are finished smooth.
- 12 Gauge surface closure reinforcing. Mortising and reinforcing as required by assigned closure template.
- 12 Gauge—strike reinforcing, drilling and tapping to template.
- 7 Gauge— $1\ 1/4'' \times 10''$ joggled hinge reinforcing. Drilled and tapped per template.
- 16 Gauge wall anchors are designed to suit wall conditions. Counter sinks with angle spacer behind frame provided for anchorage (all bolts by others)
- 14 Gauge floor anchors. Type K unless noted otherwise)
- Frames are mortised reinforced. Cut out and beveled to insure proper operation with assigned hardware.
- All frames 1 piece welded construction unless noted otherwise.
- All frames punched for silencers: 3@ singles, 2@ doubles (silencers by others)
- Removable glazing stops to be $11/16''$ typical. $1/16''$ caulking space each side of glass shall be allowed unless otherwise requested by the contractor.
- Standard stops are $11/16''$

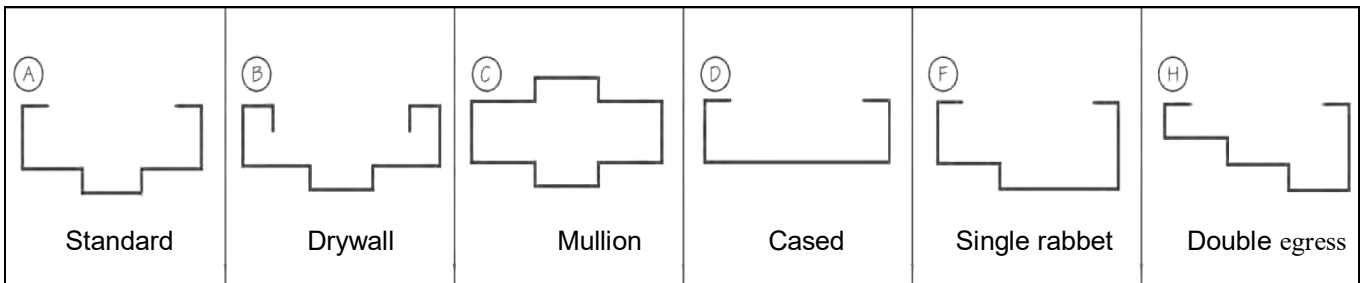
Hollow Metal Frames



Standard frame elevations

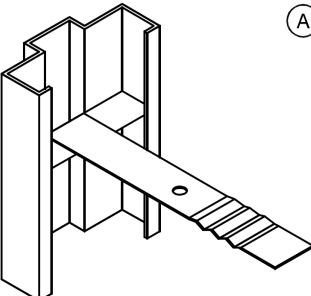
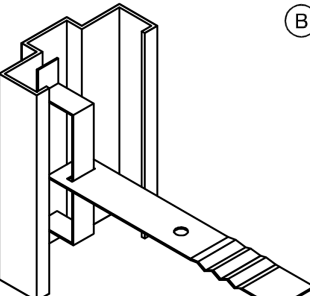
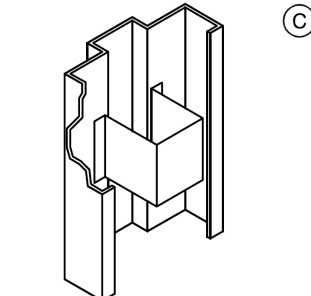
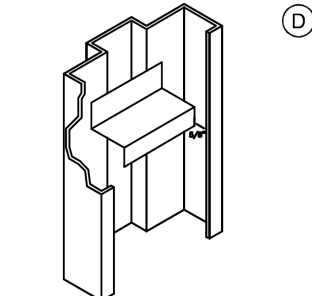
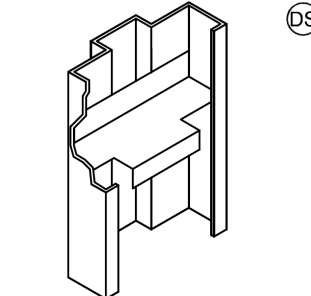
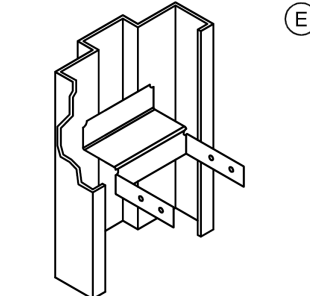
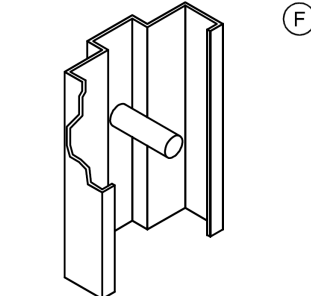
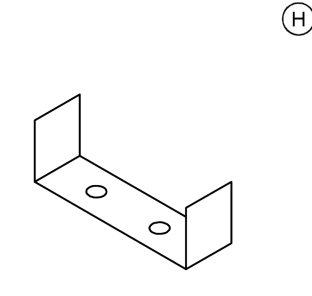
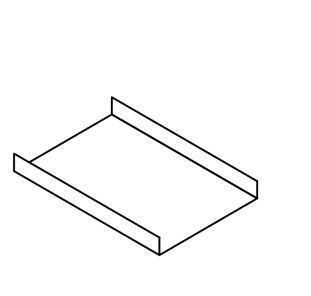
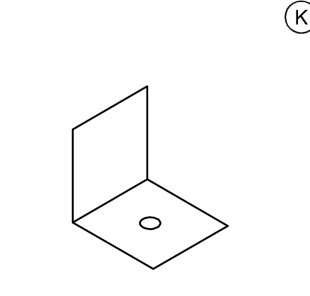
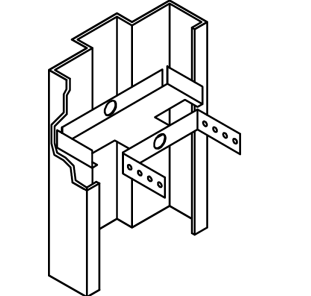
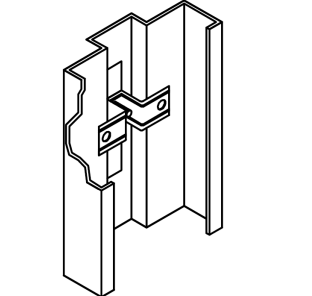


Standard frame sections



Hollow Metal Frames

Standard Frame Anchors

 <p>(A)</p> <p>T-STRAP (MASONRY)</p>	 <p>(B)</p> <p>U.L. STRAP & STIRRUP MASONRY</p>	 <p>(C)</p> <p>GROUTED</p>	 <p>(D)</p> <p>METAL CHANNEL STUD</p>
 <p>(DS)</p> <p>NOTE: ANCHOR IS FLUSH WITH RETURN</p>	 <p>(E)</p> <p>WOOD STUD</p>	 <p>(F)</p> <p>EWA</p>	 <p>(H)</p> <p>MULLION CLIP</p>
 <p>SILL PLATE</p>	 <p>(K)</p> <p>FLOOR ANCHOR</p>	 <p>SNAP IN</p>	 <p>"CP"</p>